

# 1003

## Infrared Heating Lamp

User Manual



Welcome to use this product! A0  
Please read this instruction carefully before use.

## About This Manual

This manual shall only be used for the reference of operation of this particular model. If the manual is used for other purposes, SILVERFOX will not undertake any according consequences and responsibility. All information of this manual shall be protected by copyright and shall not be copied and translated in any part of this specification without the written consent of our company SILVERFOX.

## Safety Guidance

**To ensure your correct and safe use of this product, please read all the instructions before use! Please follow all safety precautions!**

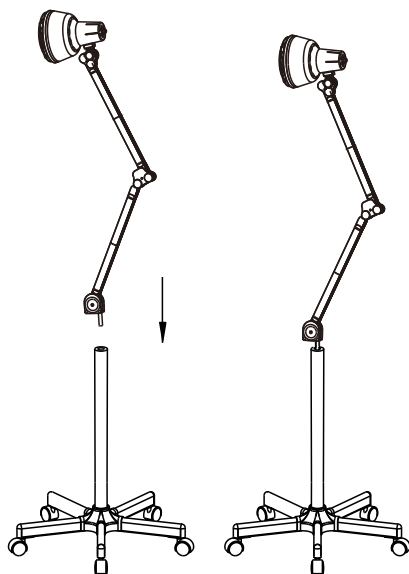
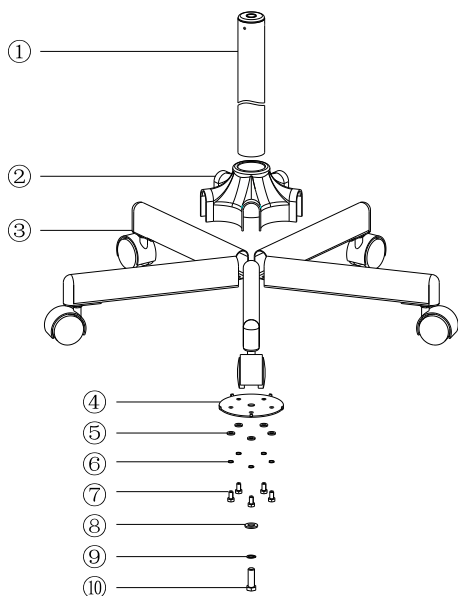
	Warning!	<p><b>Indicates a potentially dangerous situation that, if not avoided, could result in serious loss of life.</b></p> <ul style="list-style-type: none"><li>• This product is only for beauty practitioners with professional qualifications.</li><li>• Do not use or store the product in a damp place such as bathroom to avoid malfunction and danger.</li><li>• Do not use this product near flammable items (e.g., alcohol, thinner, gasoline, nail polish remover, sprays, etc.).</li><li>• Do not use this product under the following conditions: when the power cord or plug is damaged or gets hot; when the plug in the power socket comes loose.</li><li>• Do not use wet hands to plug and unplug power cord connectors and use this product.</li><li>• Please make sure that the working voltage of this product conforms to its rated voltage.</li><li>• Before use, make sure that the power plug and the power cord connector are fully plugged in, so as not to cause danger.</li><li>• When not using this product, please turn off the power and pull out the plug.</li><li>• Please regularly clean the dust accumulated on the power plug and power cord connector to avoid failure of insulation caused by moisture, dust and other factors.</li><li>• Be sure to use the special power cord assembly for this product. Do not use the power cord assembly on any other appliance.</li><li>• Do not wrap the power cord around the product, otherwise it may distort and malfunction the power cord.</li><li>• Keep out of reach of children. Do not allow children to use this product.</li><li>• Please do not modify, disassemble or repair this product by yourself. If you need to repair it, please contact the manufacturer, agent or professional maintenance personnel to check and repair it, so as not to cause danger.</li><li>• Please contact distributor, service center or related personal with appropriate skill and experience for repairing if the plug is damaged, in case of any danger.</li></ul>
	Attention!	<p><b>Represents a potentially dangerous situation which, if not avoided, can result in general injury to person.</b></p> <ul style="list-style-type: none"><li>• Operators should pay special attention to the safety of personnel and equipment when using.</li><li>• If the product is abnormal, please stop using it immediately and contact the manufacturer or dealer for relevant treatment.</li><li>• This product and related accessories should be handled lightly.</li><li>• Please properly handle the packaging bag of this product to avoid accidents such as asphyxiation of infants, and keep it out of reach of children.</li></ul>

## Product Introduction

Scope of application

Suitable for beauty and nursing

## Components



Parts List of the Stand:

NO.	Name	QTY	NO.	Name	QTY
①	stand column	1	⑥	flat gasket M6 $\times$ 12	5
②	five claws	1	⑦	screws $\Phi 6$	5
③	five-cross base	5	⑧	spring pad $\Phi 10$	1
④	binder plate	1	⑨	flat gasket $\Phi 10$	1
⑤	leaf spring pad $\Phi 6$	5	⑩	hexangular screw M10 $\times$ 12	1

## Product Parameters

<b>Product name</b>	Infrared Heating Lamp
<b>Product model</b>	1003
<b>Product size</b>	77 $\times$ 30 $\times$ 24 (cm)
<b>Net weight</b>	7.8kg
<b>Package contents</b>	Infrared Heating Lamp $\times$ 1
	The power cord $\times$ 1
	User manual *1
	Warranty card *1
<b>Rated voltage</b>	AC 100-120V / AC 220-240V
<b>Frequency</b>	50/60Hz
<b>Power</b>	275W

## ◆ Steps for Usage

### Care preparation

- ① Let the customer stay in a stable position and adopt a posture that makes the customer feel comfortable.
- ② Please check with clients if there are any contraindications.
- ③ Explain the nursing content and precautions for the operation to the customer.
- ④ Beautician please cleans and disinfects hands.
- ⑤ Help customers clean and toning, put some cream or other product that to help lose weight, fat-burning on the treatment part of the client before treatment.
- ⑥ Place the instrument in a stable place, check if the plug heads, sockets, wires and interfaces are safe and away from the water.

### Operation procedure

- ① Adjust the position of the lampshade and connect the power cord.
- ② Turn on the power switch and adjust the knob to control the intensity of the light (Adjust counterclockwise for low intensity, and clockwise adjust for high intensity).
- ③ After the operation is completed, need to turn the knob counterclockwise to the lowest intensity, and then turn off the power switch.

Warning: 1. Do not use the instrument when the voltage is unstable.  
2. Forbidden to look directly at the infrared bulb with eyes (when the instrument is in use).  
3. When the instrument is in use and within half an hour after it is turned off, it is forbidden to touch the bulb to avoid burns.  
4. Pay attention no water droplets to fall on the bulb during use to avoid accidents.

### Recommended using time

- ① The irradiation distance should be greater than 30cm (it is based on the comfort of the client) to avoid burns;
- ② It is recommended that each use time should not be too long, and the reference time should not exceed 30 minutes for each use.

## Instrument Maintenance

- Turn off the power promptly after the operation is completed.
- If it is not used for a long time, please unplug the power cord, clean the lamp cap and cover the lamp cap with a suitable lamp shade, and move it to a safe place.
- It is necessary to clean the dust on the mesh cover and the bulb in time. When wiping the bulb, please use soft cloth or tissue.

## Troubleshooting

Abnormal phenomena	Cause	Solution
The equipment does not work	1. No power.	1. Turn on the power switch
	2. The power code is not properly inserted or connected.	2. Plug or connect the power cord properly.
	3. The bulb is not installed securely.	3. Rotate and tighten the bulb firmly.
	4. The bulb is cracked or broken.	4. Replace the bulb.

If problem is still not solved after above operations, please contact maintenance center or supplier to solve it.



Do not dispose of old or defective appliances in domestic garbage; this should only be done through public collection points.

- ▲ Please check the product specification before use. This manual is for reference only. Specifications are subject to change without prior notice.