

SILVERFOX

T-01 / T-02 / T-03
Hot Towel Cabinet

User Manual



Welcome to use our products. A2
Please read the user manual carefully before using the products.
Our company reserves the right to improve design and modify
the products without prior notice.

About This Manual

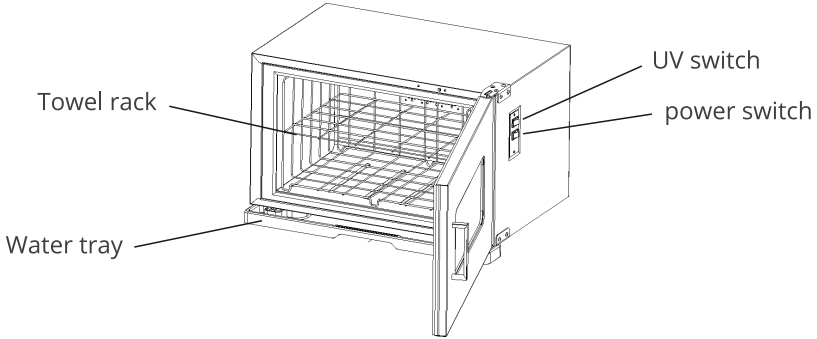
This manual shall only be used for the reference of operation of this particular model. If the manual is used for other purposes, SILVERFOX will not undertake any according consequences and responsibility. All information of this manual shall be protected by copyright and shall not be copied and translated in any part of this specification without the written consent of our company SILVERFOX.

Safety Guidance

**To ensure your correct and safe use of this product, please read all the instructions before use!
Please follow all safety precautions!**

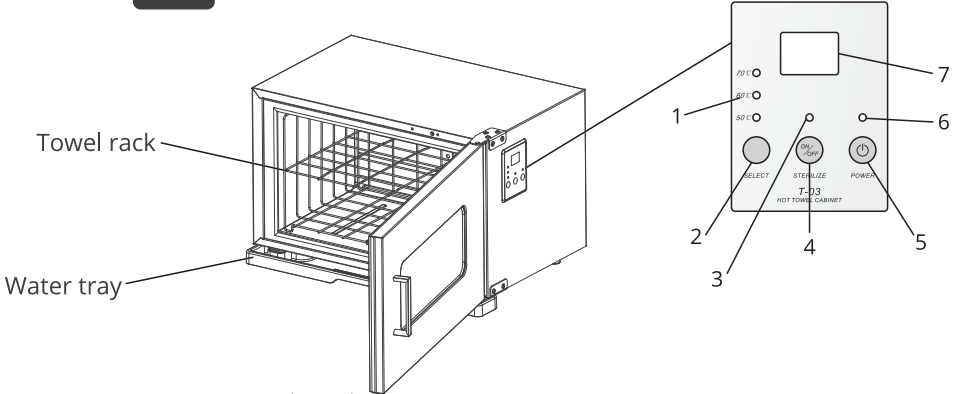
	Warning!	<p>Indicates a potential dangerous situation that, if not avoided, could result in serious loss of life.</p> <ul style="list-style-type: none">• Do not use this product under the following conditions: when the power cord or plug is damaged or gets hot; when the plug in the power socket comes loose.• Do not use wet hands to plug and unplug power cord connectors and use this product.• Please make sure that the working voltage of this product conforms to its rated voltage.• Before use, make sure that the power plug and the power cord connector are fully plugged in, so as not to cause danger.• When not using this product, please turn off the power and pull out the plug.• Please regularly clean the dust accumulated on the power plug and power cord connector to avoid failure of insulation caused by moisture, dust and other factors.• Be sure to use the special power cord assembly for this product. Do not use the power cord assembly on any other appliance.• Do not wrap the power cord around the product, otherwise it may distort and malfunction the power cord.• Keep out of reach of children. Do not allow children to use this product.• Please do not modify, disassemble or repair this product by yourself. If you need to repair it, please contact the manufacturer, agent or professional maintenance personnel to check and repair it, so as not to cause danger.• Please contact distributor, service center or related personal with appropriate skill and experience for repairing if the plug is damaged, in case of any danger.• If the power cord, plug, or door glass is damaged, please contact the manufacturer, agent or a person with relevant skills to replace it to avoid danger.• This product must be used in accordance with the inherent purpose stated in this manual, and accessories and accessories not recommended by the manufacturer must not be used.• This appliance is intended only for drying textiles washed in water.• If the supply cord is damaged, it must be replaced by the manufacturer, its service agent or similarly qualified persons in order to avoid a hazard.• This appliance can be used by children aged from 8 years and above and persons with reduced physical, sensory or mental capabilities or lack of experience and knowledge if they have been given supervision or instruction concerning use of the appliance in safe way and understand the shall not be made by children without supervision.
	Attention!	<p>Represents a potentially dangerous situation which, if not avoided, can result in general injury to person.</p> <ul style="list-style-type: none">• Operators should pay special attention to the safety of personnel and equipment when using.• If the product is abnormal, please stop using it immediately and contact the manufacturer or dealer for relevant treatment. <p>This product and related accessories should be handled lightly. Please properly handle the packaging bag of this product to avoid accidents such as asphyxiation of infants, and keep it out of reach of children.</p>

T-01 / T-02



Main Unit

T-03



Main Unit

1. Thermal insulation gear indicator:
Light on: the set temperature is maintained after sterilization is completed;
Light off: no heat preservation after sterilization.
2. Heat preservation switch: Select a different heat preservation temperature.
3. Working status indicator:
Light off: not working;
Red light: sterilization working;
Green light: sterilization completed.
4. Disinfection switch: turn on heating function and ultraviolet lamp.
5. Power switch: controls the power supply of the main unit.
6. Power indicator: light on after the power supply is started.
7. Display screen: real-time temperature in the cabinet.

Product Parameters

Product model	T-01	T-02	T-03
Rated voltage / Frequency	AC 100-120V or AC 220-240V, 50/60Hz		
Power	164W (AC 100-120V) 164W (AC 220-240V)	480W (AC 100-120V) 480W (AC 220-240V)	480W (AC 100-120V) 480W (AC 220-240V)
Inner capacity	7L	18L	18L
Product size	33×27.6×22.6cm	48×32.5×31.5cm	48×32.5×31.5cm
Package size	37.5×31×27cm	56×42×37.5cm	56×42×37.5cm
Package contents	Main Unit × 1		
	Towel rack × 1		
	Water tray × 1		

◆ Operation Cautions



Warning!

- Do not put acidic or alkaline substances in this product.
Do not move this product when it is live or working.
- Please do not open the cabinet door in working condition to prevent scalding.
- Do not use or store this product in an environment with acidic gas or humid air to avoid malfunction and danger.
- Do not use this product (such as alcohol, thinner, gasoline, nail polish remover, spray, etc.) near high-temperature and high-heat objects or near flammable objects.



Attention!

- When the product is working for a long time, there is a significant temperature rise on the shell, which is a normal phenomenon.
- When using the UV function, the working time should be controlled within 1 to 2 hours, otherwise it will cause damage to the item due to being placed under the purple line for a long time.
- After each use of this product, you must turn off the power switch, take out the towel rack, and dry the water on the inner tank and door frame with a rag. If you do not use it for a long time, please unplug the power plug.
- If this product accidentally breaks the glass on the observation window during use, please turn off the power immediately and contact the manufacturer or agent for replacement. This glass is made through a special process, which can block ultraviolet rays and cannot be replaced by ordinary glass.
- Do not look directly into the lamp of the ultraviolet lamp tube, lest the light from the lamp tube will cause damage to your eyes.

◆ T-01 / T-02 Operation method

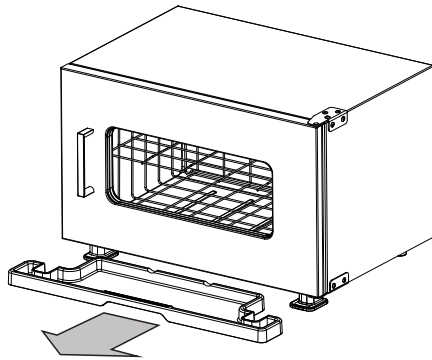
Operation procedure

- ① Plug in the power cord.
- ② Open the cabinet and place the wet towels neatly on the towel rack; close it and check whether the sealed magnetic strip between the door frame and the cabinet body is well sealed. After everything is in order, you can turn on the "POWER" button on the right side of the towel cabinet to start the heating device, and the host will start to heat up. When the temperature rises to 70 degrees, it will enter a constant temperature state; you can activate the "OZONE" ultraviolet rays according to your needs, and the towel cabinet will light up at this time. The purple-blue light indicates that the host enters the working state.
- ③ After using every time, you need to clean the water in the drip tray: use your fingers to buckle the grip position of the drip tray and pull the drip tray out, then you can pull out the drip tray and clean the water in the tray. Push the tray back according to the pulled-out position to install the drip tray..

- 1.Plug the power cord
- 2.Open the cabinet door, and place the wet towels and other items that need sterilization and disinfection neatly on the towel tray; Close the cabinet door and check whether the sealing magnetic strip between the door frame and the cabinet is in good contact. When everything is in order, press the power switch on the panel.
- 3.Press the disinfection switch, when the indicator light turns red, the heating function is started. when the purple-blue light can be seen in the towel cabinet, the ultraviolet ozone generator starts to work. The ultraviolet ozone generator will be automatically extinguished after working 40 minutes, and the ozone in the cabinet will continue to be sterilized for another 20 minutes. When the indicator light turns green, which means the disinfection is finished, you can take out the towel. (Note: If the cabinet door is not closed properly and the disinfection switch is pressed, the host buzzer will prompt twice and the disinfection will not start; If the cabinet door is opened by mistake during the process of host disinfection, the disinfection function will be automatically interrupted, the ultraviolet light will be off, and there will be a warning bee; In this case, you need to close the cabinet door again and the disinfection program will automatically restart for 60 minutes, no need to press the button again.
- 4.Heat preservation mode: press the heat preservation switch to select different heat preservation gear (70°C,60°C,50 °C and off). When in heat preservation, once the temperature in the cavity reaches the set disinfection temperature of 80°C, it will enter into the heat preservation state. When the temperature is higher than the set value, the heating function will automatically stop, and when the temperature is lower than the set value, the heating function will start, so that the towel in the cavity will reach the constant temperature state.

Note :

- ① Disinfection mode and heat preservation mode can be opened separately or simultaneously. ② The display screen shows the real-time temperature in the cavity.
- 5.Clean up the water in the water tray: reach out and buckle the buckle of the water tray to pull it out, clean up the water inside the tray, push the tray back to the position of the pull out to install the water tray. (as shown in the picture)



Instrument Maintenance

- After each use of this product, you must turn off the power switch, take out the towel rack, and dry the water on the inner tank and tray with a rag.
- Please unplug the power plug if not used for a long time.

Troubleshooting for T-01 T-02

The Fault Phenomenon	Reason	Solution
The main machine does not work or crashes.	1. No power.	1. Turn on the power.
	2. The power cord is not properly inserted or connected.	2. Plug or connect the power cord properly.
	3. Poor contact or burnt out of the circuit.	2. Contact the repair center or dealer to troubleshoot.
UV light bulb doesn't light up and inner case doesn't heat.	1. The UV OZONE switch is not turned on.	1. Toggle the OZONE button to turn on the UV function.
	2. The ultraviolet light tube burned out.	2. Replace the UV light tube.
	3. Switch inside door doesn't work	3. Adjust the screw or replace the switch

T-03 Possible problems and maintenance methods

Fault Phenomenon	Troubleshooting
E1: The cabinet door is opened during sterilization	The problem can be solved by closing the door and automatically restart the sterilization.
E2: Internal temperature probe is short-circuited	Disconnect the power and restart. If can't solve the problem, please contact the distributor or manufacturer for maintenance.
E3: Open circuit of internal temperature probe	Disconnect the power and restart. If can't solve the problem, please contact the distributor or manufacturer for maintenance.
E4: Cavity temperature probe is short-circuited	Disconnect the power and restart. If can't solve the problem, please contact the distributor or manufacturer for maintenance.
E5: Open circuit of cavity temperature probe	Disconnect the power and restart. If can't solve the problem, please contact the distributor or manufacturer for maintenance.
E6: Excessive internal temperature	Power off and cool down for 60 minutes before use. If the problem occurs repeatedly, please contact the dealer or manufacturer for maintenance.
Press the power switch without response	Check whether the plug of the power cable is properly connected and whether the fuse is damaged. If can't solve the problem, please contact the dealer or manufacturer for repair.
Press the disinfection button and the buzzer will sound twice	Check whether the cabinet door is closed properly. If the problem occurs repeatedly, please contact the dealer or manufacturer for maintenance.
The UV lamp does not work or shows flickers	Replace the UV lamp tube. If the problem occurs repeatedly, please contact the dealer or manufacturer for maintenance.

If problem is still not solved after above operations, please contact maintenance center or supplier to solve it.



Do not dispose of old or defective appliances in domestic garbage; this should only be done through public collection points.

▲ Please check the product specification before use. This manual is for reference only. Specifications are subject to change without prior notice.