



EN ■ Hair clipper

READ CAREFULLY AND STORE FOR FUTURE USE.

General warnings

- This appliance may be used by children 8 years of age and older and by persons with physical or mental impairments or by inexperienced persons, if they are properly supervised or have been informed about how to use the appliance in a safe manner and understand the potential dangers.
- Children must not play with the appliance. Cleaning and maintenance performed by the user must not be performed by unsupervised children.

Electrical safety

- Do not disconnect the power adapter from the power socket by pulling on the power cord. This could damage the power adapter or the power socket. Disconnect the power adapter from the power socket by pulling on the plug.
- Do not place the power cord of the power adapter over sharp objects. Make sure that the power cord does not hang over the edge of a table and that it is not touching a heated surface.



Attention:

The hair clipper must only be used with the original power adapter that came with it. In order to avoid a dangerous situation from arising, never use a different type of power adapter.

- Never use the power adapter supplied with this hair clipper for any other purposes.
- Keep the power adapter and its power cord dry.
- Do not wind the power cord of the power adapter around the handle of the hair clipper.
- If the power cord of the power adapter is damaged, it must be replaced by the manufacturer, its service technician or by a similarly qualified person, as this will prevent a dangerous situation from arising.
- Do not connect and disconnect the power adapter cord to and from the power socket with wet hands.
- Before connecting the power adapter to a power socket, check that the voltage on its rating label corresponds to the voltage in the power socket to which you wish to connect it. Do not use an extension cord.
- Store, charge and use the hair clipper at an ambient temperature of 15 to 35 °C. Do not charge the hair clipper for longer than is necessary for it to fully charge. Once it is charged, disconnect it from the power socket.

- Do not expose the hair clipper to temperatures higher than 50 °C. Otherwise, the built-in battery could be damaged.
- The hair clipper is equipped with a built-in long-life battery that can only be removed from the hair clipper at a professional service centre. Never attempt to remove it from the hair clipper yourself.



Warning:

Never disassemble the hair clipper for the purpose of removing the battery. Never short circuit the hair clipper or throw it into a fire. Incorrect use, risks releasing toxic substances or causing a fire or explosion.

- Do not charge, use or store the hair clipper or leave it lying in a bathroom or in locations where it could fall into a bath, wash basin or other containers filled with water.
- In the event that the hair clipper falls into water, under no condition reach for it, rather, immediately disconnect the power adapter from the power socket. Never use a hair clipper or power adapter that was submerged in water. Hand it over to an authorised service centre for inspection.



Warning:

Do not use the hair clipper in the bath or shower. Do not clean it under a water tap, do not spray it with water or any other liquid or submerge it in water or any other liquid.

Safety during use

- This hair clipper is intended for home use only and is designed for cutting human hair, beards and nose and ear hair. The hair clipper is not intended for commercial purposes or for trimming animal fur.
- Only use the hair clipper on dry clean hair, beards or nose and ear hair. Do not use it on wet or just washed hair or on beards on which a shaving foam or gel, etc. is applied.
- Use the hair clipper and the individual comb attachments in accordance with the instructions contained in this user's manual.
- Use only the original accessories supplied with this hair clipper.
- The hair clipper and its power adapter must only be used in indoor areas. Do not use it outdoors.
- Do not use the hair clipper in rooms where aerosol sprays are used or where oxygen is administered.
- Do not expose the hair clipper and its accessories to the outdoor environment, extreme temperatures, direct sunlight, excessive humidity or excessively dusty environments.

- Do not place the hair clipper and its accessories near heaters, open fires or other sources of heat.

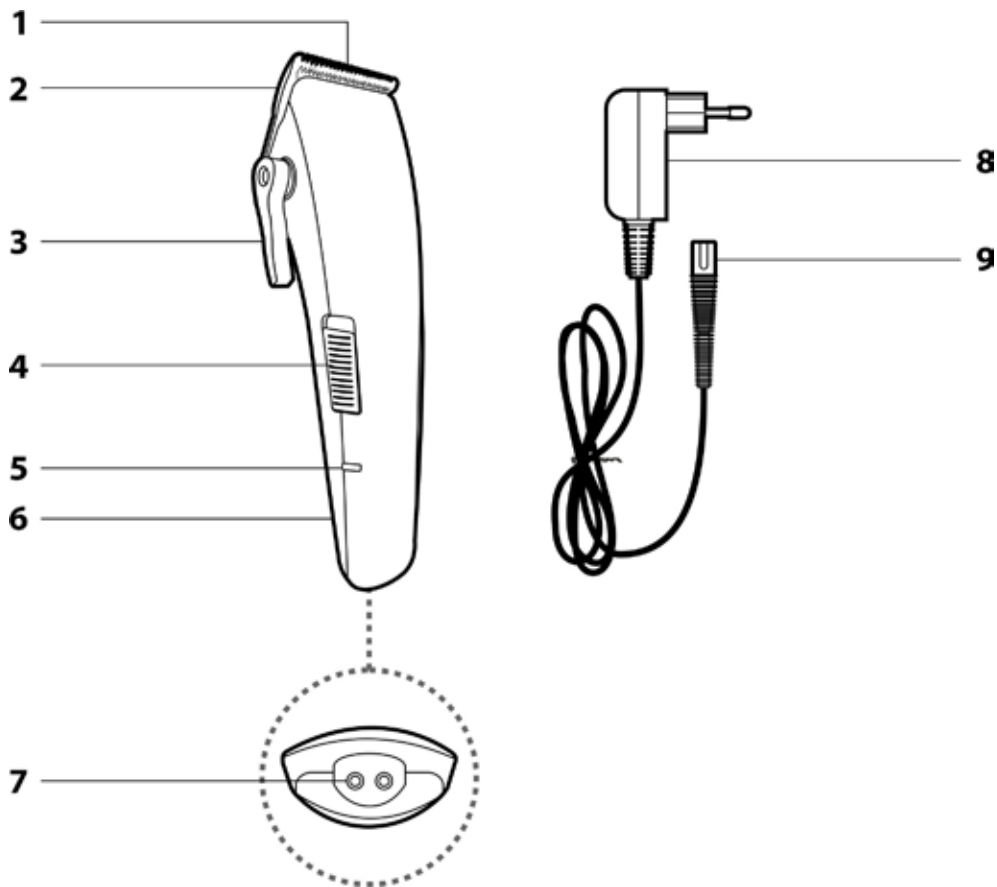


Warning:

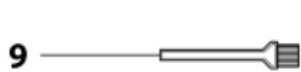
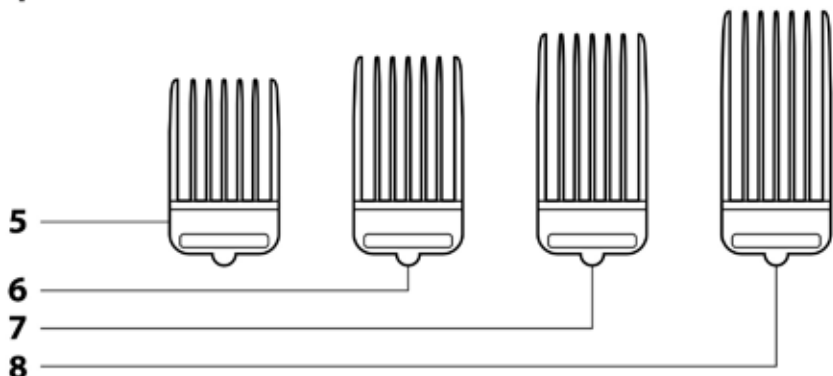
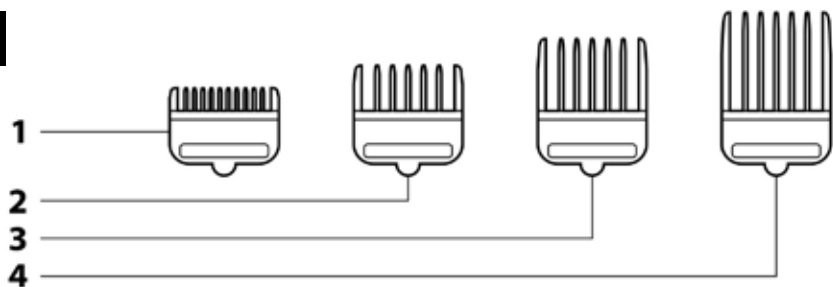
Keep the hair clipper dry.

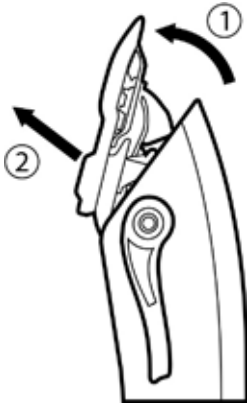
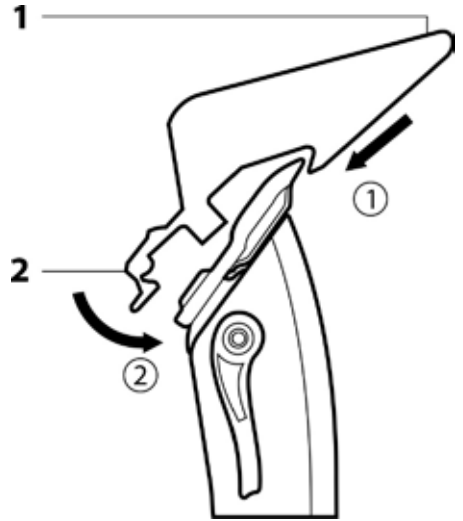
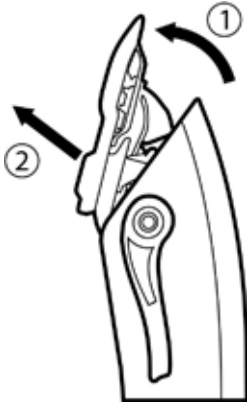
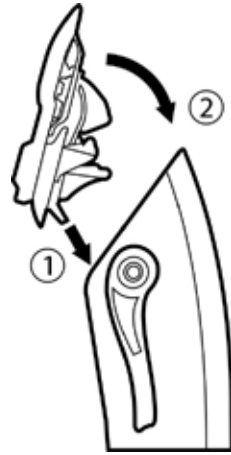
- Before every use, check the cutting unit and comb attachments for damage. Never use a hair clipper with a damaged cutting unit or comb attachment.
- The hair clipper may heat up during use or when it is charged. This is completely normal.
- Keep the hair clipper at a safe distance from eyes.
- Always turn off the hair clipper and disconnect it from the power socket when not using it, when leaving it without supervision and before attaching, removing or replacing comb attachments and before cleaning, maintenance or storage. Store the hair clipper and its power adapter in a dry environment.
- Keep the hair clipper clean. Perform cleaning and maintenance according to the instructions in chapter Cleaning and maintenance.
- Only use the cutting blade lubricating oil in accordance with the instructions in this user's manual and store it out of children's reach. Keep the oil at a safe distance from eyes and sources of heat.
- Do not perform any maintenance on the hair clipper other than cleaning the individual parts of the hair clipper as described in chapter Cleaning and maintenance.
- Never use a hair clipper or power adapter that is damaged in any way.
- Do not use the hair clipper if it has fallen on the floor, if it was submerged in water, if it is not functioning correctly or if it is damaged in any other way.
- In order to prevent a hazardous situation arising, do not repair the hair clipper or any of its accessories yourself or modify it in any way. For all repairs, contact an authorised service centre. By tampering with the product you risk voiding your legal rights arising from unsatisfactory performance or quality warranty.

A



B



C**D****E****F**

EN Hair Clipper

User's manual

- Prior to using this appliance, please read the user's manual thoroughly, even in cases, when one has already familiarised themselves with previous use of similar types of appliances. Only use the appliance in the manner described in this user's manual. Keep this user's manual in a safe place where it can be easily retrieved for future use. In the event that you hand this appliance over to somebody else, make sure to also include this user's manual.
- Carefully unpack the appliance and take care not to throw away any part of the packaging before you find all its parts. We recommend saving the original cardboard box, packaging material, purchase receipt and responsibility statement of the vendor or warranty card for at least the duration of the legal liability for unsatisfactory performance or quality. In the event of transportation, we recommend that you pack the appliance in the original box from the manufacturer.

DESCRIPTION OF THE HAIR CLIPPER AND ITS ACCESSORIES

- | | |
|--|--|
| A1 Cutting blade, width 46 mm | height of 9.5 mm |
| A2 Stainless steel cutting unit | B4 Comb attachment No. 4, cutting height of 13 mm |
| A3 Cutting height adjustment lever
Enables cutting heights of 0.8 mm, 1.5 mm, 2.2 mm, 2.8 mm and 3.6 mm to be set. | B5 Comb attachment No. 5, cutting height of 16 mm |
| A4 Hair clipper On/Off switch | B6 Comb attachment No. 6, cutting height of 19 mm |
| A5 LED charging indicator | B7 Comb attachment No. 7, cutting height of 22 mm |
| A6 Ergonomically-shaped handle | B8 Comb attachment No. 8, cutting height of 25 mm |
| A7 Power adapter connection socket | B9 Cleaning brush |
| A8 Power adapter | B10 Oil for lubricating the cutting unit |
| A9 Power adapter plug | B11 Travel case |
| B1 Comb attachment No. 1, cutting height of 3 mm | D1 Comb part of attachment |
| B2 Comb attachment No. 2, cutting height of 6 mm | D2 Heel of attachment |
| B3 Comb attachment No. 3, cutting height of 9 mm | |

PURPOSE OF USE

- The hair clipper is suitable for cutting dry or lightly dampened hair or beards. The hair clipper is not intended for cutting freshly washed hair, clipping synthetic hair or animal fur. The hair clipper is intended for domestic use and is not intended for business activities or other professional areas of use.

CHARGING THE HAIR CLIPPER

- The hair clipper is equipped with a built-in Lithium-ion battery, which serves as an internal power source and enables cordless operation of the hair clipper. Before first use or after not using it for a long time, first allow the hair clipper battery to fully recharge. Only use the original power adapter **A8** to charge the hair clipper.
- Check that the hair clipper is turned off and insert the power adapter plug **A9** into the socket **A7**. Insert the mains plug of the power adapter **A8** into a power socket. The built-in battery will start charging after connecting the hair clipper to a power socket. LED indicator **A5** will start flashing red, which indicates charging. The first charge takes approximately 3 hours. Thanks to rapid charging technology, subsequent charging of the battery to full capacity takes approximately 2 hours.
- As soon as the battery is fully charged, the indicator **A5** will stop flashing and will remain lit. Pull the mains plug of the power adapter **A8** out of the power socket and only then disconnect the power adapter plug **A9** out of the socket **A7**. When the hair clipper is disconnected from the external power source, the LED indicator **A5** will turn off.



Attention:

Do not leave the hair clipper connected to the external power source for longer than is necessary to charge it.

- A fully charged battery will provide approximately 1 hour of cordless operation. Then it is necessary to charge the battery again.
- Recommendations for achieving the longest possible battery lifetime:
 - In order for the built-in battery to serve you as long as possible, charge, use and store the hair clipper in a dry environment at an ambient temperature of 15–35 °C. Lower or higher temperatures have a negative impact on the lifespan of the battery.
 - Do not wait for the battery to become completely flat. It is better to charge the battery before it is completely flat.
 - When the hair clipper is not used for an extended period of time, charge it at least once every 6 months.

DIRECT DRIVE TECHNOLOGY

- The hair clipper is equipped with **DIRECT DRIVE** technology, which enables the hair clipper to be used immediately upon being connected to the mains power socket even when the battery is completely flat. Therefore, it is not necessary to wait for a minimum charge. If the hair clipper stops working due to the battery becoming

flat while cutting hair, you can connect it to the mains power grid using the power adapter **A8** and continue cutting.

USING THE HAIR CLIPPER

PREPARATION BEFORE THE HAIRCUT

- Only use the hair clipper on dry clean hair or lightly dampened hair. Do not use it on wet and freshly washed hair or hair with gel applied on to it, etc. Trim beards when they are dry without the use of shaving gels or foams.
- Before starting any styling of hair or beards, acquaint yourself with the operating instructions.
- Seat the person whose hair you will be cutting in such a way that their head is at the height of your chest. This will provide for a comfortable cutting position. Before cutting hair, thoroughly comb out the hair in the growth direction.
- Cover the neck and shoulders of the person whose hair you will be cutting with a towel to limit cut hair from falling on their clothes.
- Prior to every use, check that the cutting blade **A1** is clean.
- Prior to every use, check the cutting unit **A2** and the selected comb attachment for damage. Never use a hair clipper with a damaged cutting unit or comb attachment.

SETTING THE CUTTING HEIGHT

- Before the height is set, the hair clipper must be turned off using switch **A4**.
- The height adjustment lever **A3** has 5 positions, which enable the cutting height to be adjusted to 0.8 mm, 1.5 mm, 2.2 mm, 2.8 mm and 3.6 mm. Moving it to any position (figure C) is accompanied by an audible click.
 - to lower the cutting height, move the lever upwards.
 - to increase the cutting height, move the lever downwards.

TURNING THE HAIR CLIPPER ON AND OFF

- Turn on the hair clipper using switch **A4**.
- When you have finished using it, always turn the hair clipper off using switch **A4** and disconnect it from the power socket if it was powered from a mains power socket. Then clean it out according to the instructions in chapter Cleaning and maintenance.



Attention:

The maximum continuous operating time of the hair clipper is 30 minutes, so do not leave it running for longer. If the hair clipper was in continuous operation for 30 minutes, allow it to cool down for at least 30 minutes before turning it on again. At lower loads, a cooling time of 3 to 5 minutes is usually sufficient.

USING THE HAIR CLIPPER WITH A COMB ATTACHMENT

- The hair clipper comes with comb attachments **B1** to **B8** for various cutting heights. Information about the cutting height is shown on each of the attachments. Select one of the attachments and attach it to the cutting unit **A2** according to the instructions below.



Attention:

Put the comb attachments on to the cutting unit before turning on the hair clipper and always turn the hair clipper off before removing them.

- First slide the comb part **D1** on to the cutting blade **A1** from above and then push down the heel of the attachment **D2** on to the bottom part of the cutting unit **A2**, see figure D. Correct attachment of the attachments is accompanied by an audible click. Check that the selected comb attachment is securely fitted to the cutting unit **A2**.
- Set the appropriate cutting height using the lever **A3**. If you are using the hair clipper for the first time, it is recommended to first try a longer cut and only thereafter adjust the setting to a shorter cut.
- To remove the comb attachment, first release the heel of the comb attachment **D2** and then slide the attachment off the cutting unit **A2**.

USING THE HAIR CLIPPER WITHOUT THE COMB ATTACHMENT

- Before the height is set, the hair clipper must be turned off using switch **A4**.
- You may use the hair clipper without a comb attachment to, for example, to trim beards very close to the skin (0.8 mm) or to trim the neckline or the area around the ears. Set the appropriate cutting height using the lever **A3**. If you want the cutting height to be as short as possible, move the lever **A3** upwards all the way. Hair will be cut directly above the scalp. This setting is suitable for trimming hair on the neck and around the ears.
- Push the lever downwards as far as it will go to set a cutting height of approximately 3.6 mm.



Attention:

The cutting blade **A1** will cut off all hair, beards or nose and ear hair that comes into contact with it, therefore be especially careful when handling the hair clipper while it is running.

ADVICE AND TIPS

- Start cutting with the highest cutting height set on the cutting unit **A2** and gradually reduce the hair cutting height setting.
- Record the used height setting for certain hairstyles so that you do not need to spend time adjusting it the next time.
- It is most effective to cut counter to the direction of hair growth.

- Because hair grows in various directions, it is also necessary to move the hair clipper in various directions (upwards, downwards or crosswise).
- Repeat individual passes so that you cut also the hair that you did not cut in the previous passes.
- Ensure that the flat part of the comb attachment is in full contact with the scalp. This will ensure an even haircut result.
- To achieve good results on curly, sparse or long hair, you can try using a comb to lead the hair towards the hair clipper.
- Trim beards by slowly moving counter to the growth direction of the beard, going from the bottom upwards. When trimming beards using a comb attachment, keep in mind that the selected comb attachment must be in constant contact with the skin in order to ensure an even cut. After reattaching the attachment on to the cutting unit **A2**, do not forget to set the cutting height again.
- Regularly clean away hair and whiskers from the cutting unit. In the event that a large amount of hair or whiskers accumulates in the cutting blade, take it off the hair clipper and blow or tap the hair or whiskers out of it.

CLEANING AND MAINTENANCE

- Regular cleaning of the hair clipper after every use will ensure its proper operation.
- Before you start cleaning the hair clipper, turn it off and disconnect it from the power socket.



Attention:

This hair clipper is not designed to be washed under a water tap. Do not spray the hair clipper or its power adapter **A8** with water or any other liquid or submerge it in water or any other liquid.

CLEANING THE CUTTING UNIT

- Remove the comb attachment from the cutting unit **A2** when it is ready.
- Use the cleaning brush **B9** to remove all hair, whiskers or body hair from the cutting unit **A2** and all the remaining attachments **B1** to **B8**.
- Remove the cutting unit **A2** from the hair clipper, see figure E. Hold the hair clipper in one hand so that your thumb is positioned on the underside of the cutting unit **A2**. Use the thumb of the other hand to push the cutting unit from the handle **A6** until the cutting unit **A1** is fully released.



Attention:

The edge of the cutting blade **A1** is sharp, pay increased attention when handling it.

- Use the brush **B9** to remove all hair or whiskers from the cutting unit **A2** and from the inner area of the hair clipper underneath the cutting unit **A2**.
- After cleaning, reattach the cutting unit **A2** to the handle of the hair clipper **A6**, see figure F. Slide the tab on the underside of the cutting unit **A2** into the cut-out in the handle of the hair clipper **A6** and then push the cutting unit **A2** against the hair clipper until an audible click is heard.

CLEANING THE COMB ATTACHMENTS

- Comb attachments **B1** to **B8** can be washed under lukewarm running water. After washing an attachment, carefully wipe it with a soft, dry cloth and then allow it to dry naturally.
- The hair clipper handle **A6** can be cleaned using a clean dry cloth. In the event that it is very dirty, you can use a lightly dampened cloth. Then thoroughly wipe the cleaned surface dry.
- To clean the power adapter **A8**, use a clean, dry cloth.
- For cleaning, do not use brushes with hard bristles, cleaning products with an abrasive effect, solvents, etc. Otherwise, the cleaned surface may be damaged.

LUBRICATING THE BLADE OF THE CUTTING UNIT

- To ensure complete movement of the cutting unit blades **A1**, we recommend that it is regularly lubricated always after several sessions.
- If a comb attachment is mounted on the cutting unit **A2**, remove it.
- Apply 1 to 2 drops of oil **B10** to the blade of the cutting unit **A1** and evenly spread the oil using a cloth. Dry off excess oil. Check that the cutting blade is clean before using again.



Note:

After using up the supplied oil **B10** you can use an oil that does not contain acids, e.g. sewing machine oil.

STORAGE

- When you have finished using it, you may store the hair clipper with all its accessories in the supplied case **B11**. Keep the case with the hair clipper away from extreme temperatures, direct sunlight and excessive humidity and do not store it in an overly dusty environment.

TECHNICAL SPECIFICATIONS

Hair clipper

Built-in battery.....	Li-ion, 3.6 V, 2200 mAh
Output.....	5 V, 1 A
Dimensions (width x depth x height)	174 x 52 x 32 mm
Weight	120 g
Noise level	72 dB(A)
Power adapter	
Rated voltage range	100–240 V AC
Rated frequency.....	50–60 Hz
Output.....	5 V/DC, 1,000 mA
Length of the power cord.....	195 cm

The declared noise emission level of the appliance is 72 dB(A), which represents a level A of acoustic power with respect to a reference acoustic power of 1 pW.

EXPLANATION OF TECHNICAL TERMINOLOGY

Safety class for electrical shock protection:

IP20 – The appliance is constructed in such a way that it is not possible for any dangerous live parts of the appliance to come into contact with the human body and at the same time the appliance is protected against the damaging effects of water that could enter into the appliance.

Changes to text and technical parameters are reserved.

DISPOSAL OF USED BATTERIES

Prior to handing over the hair clipper at a specialised collection facility, it is necessary to ensure that the built-in battery is removed. Battery removal will be performed at the authorised service centre. In the event that the product has been disassembled for the purpose of ecological disposal then it must not be reassembled.



This symbol indicates that used batteries do not belong in ordinary municipal waste. Hand over used batteries to designated collection points for proper disposal. Correct disposal of batteries will help prevent negative impacts on the environment and human health.

Disposal in other countries outside the European Union.

This symbol is valid in the European Union. If you wish to dispose of used batteries, request the necessary information about the correct disposal method from the local authorities or from your vendor.

INSTRUCTIONS AND INFORMATION REGARDING THE DISPOSAL OF USED PACKAGING MATERIALS

Disposal of used packaging material at a site designated for waste in your municipality.

DISPOSAL OF USED ELECTRICAL AND ELECTRONIC EQUIPMENT



This symbol on products or original documents means that used electric or electronic products must not be added to ordinary municipal waste. For proper disposal, renewal and recycling hand over these appliances to determined collection points. Alternatively, in some European Union states or other European countries you may return your appliances to the local retailer when buying an equivalent new appliance. Correct disposal of this product helps save valuable natural resources and prevents potential negative effects on the environment and human health, which could result from improper waste disposal. Ask your local authorities or collection facility for more details. In accordance with national regulations penalties may be imposed for the incorrect disposal of this type of waste.

For business entities in European Union states

If you want to dispose of electric or electronic appliances, ask your retailer or supplier for the necessary information.

Disposal in other countries outside the European Union.

This symbol is valid in the European Union. If you wish to dispose of this product, request the necessary information about the correct disposal method from the local council or from your retailer.



This product meets all the basic requirements of EU directives related to it.