

Electric Shaver

User's manual

EN



SENCOR®

SMS 3011BL / SMS 3012GR
SMS 3013RD / SMS 3014TQ

Prior to using this appliance, please read the user's manual thoroughly, even in cases, when one has already familiarised themselves with previous use of similar types of appliances. Only use the appliance in the manner described in this user's manual. Keep this user's manual in a safe place where it can be easily retrieved for future use.

We recommend saving the original shipping cardboard box, packaging material, receipt and responsibility statement of the vendor or warranty card for the duration of warranty. In the event of transportation, we recommend that you pack the appliance in the original box from the manufacturer.

EN-1

TABLE OF CONTENTS

IMPORTANT SAFETY INSTRUCTIONS	3
DESCRIPTION OF THE ELECTRIC SHAVER	5
CHARGING THE ELECTRIC SHAVER	6
USING THE ELECTRIC SHAVER	6
CLEANING AND MAINTENANCE	7
REPLACEMENT OF THE SHAVING HEAD	8
TECHNICAL SPECIFICATIONS	9
INSTRUCTIONS AND INFORMATION REGARDING THE DISPOSAL OF USED PACKAGING MATERIALS	10
DISPOSAL OF BATTERIES	10
DISPOSAL OF USED ELECTRICAL AND ELECTRONIC EQUIPMENT	10

IMPORTANT SAFETY INSTRUCTIONS READ CAREFULLY AND STORE FOR FUTURE USE.

- This appliance may be used by children 8 years of age and older and by persons with physical or mental impairments or by inexperienced persons, if they are properly supervised or have been informed about how to use the appliance in a safe manner and understand the potential dangers. Do not allow children to play with the appliance.
- Cleaning and maintenance that may be performed by the user must not be performed by unsupervised children. Keep this appliance and the power cord out of reach of children that are younger than 8 years of age.
- This electric shaver is for shaving facial hair. Do not use it for shaving legs or the armpit or groin areas, or for grooming animal hair.
- The electric shaver is intended for domestic use. Do not use it for commercial purposes.
- Only use the power adapter, USB cable and accessories supplied with the electric shaver.
- Before connecting the adapter to a power outlet, make sure the voltage stated on its rating label corresponds to the voltage in your power outlet.
- Do not expose the electric shaver or its accessories to the outdoor environment, extreme temperatures, direct sunlight, excessive humidity or excessively dusty environments.
- Do not place it near heaters, open fires or other appliances or equipment that are sources of heat.



Warning:

This electric shaver is not designed to be used in the bath or shower, therefore keep it dry.

- Charge and use the electric shaver at a sufficient distance from the bath, wash basin or other containers filled with water.

Electric Shaver

SMS 3011BL / SMS 3012GR / SMS 3013RD / SMS 3014TQ

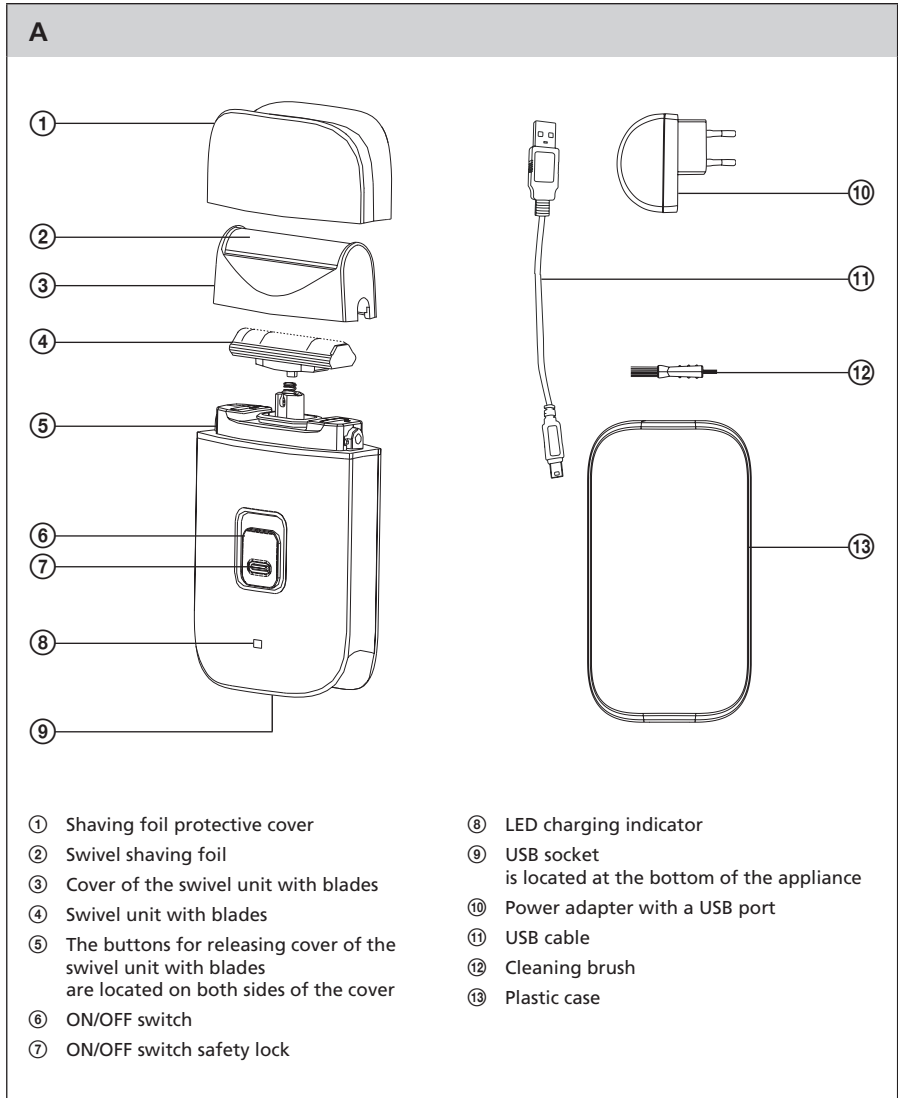
- The electric shaver must not be washed under the water tap. Do not spray it with water or any other liquid or submerge it in water or any another liquid.
- We do not recommend using the electric shaver on parts of the face where there are open wounds, lacerations, sunburns or blisters.
- When the electric shaver is turned on, keep it at a sufficient distance from hair and eyes.
- Store the electric shaver with the protective cover placed on the shaving foil to prevent its damage.
- Do not place the USB cable near hot places or over sharp objects.
- Do not use the electric shaver, USB cable or power adapter if it is damaged. A damaged USB cable or power adapter must be replaced for a new one of the same type. For all repairs of the appliance, replacement of damaged USB cable or power adapter, please contact an authorised service centre. Do not repair the electric shaver yourself or modify it any way to prevent a dangerous situation from arising. By tampering with the product you risk voiding your legal rights arising from unsatisfactory performance or quality warranty.

Electric Shaver

SMS 3011BL / SMS 3012GR / SMS 3013RD / SMS 3014TQ

EN

DESCRIPTION OF THE ELECTRIC SHAVER



CHARGING THE ELECTRIC SHAVER

- Charge, use and store the electric shaver at an ambient temperature of 5–35 °C.
- Make sure that the switch A⑥ is set to the OFF position before charging the shaver. The electric shaver can be charged from a power socket or via a computer equipped with an appropriate USB interface.
- Connect the electric shaver to a power source:

A. Connecting to a power socket

Connect one end of the USB cable A⑪ to the power adapter A⑩, connect the other end to the USB socket A⑨ on the underside of the electric shaver. Connect the power adapter A⑩ to an electrical power socket (100–240 V).

B. Connecting to a computer

Connect one end of the USB cable A⑪ to the USB socket A⑨ located on the underside of the electric shaver and connect the other end to the computer.

- After connecting the electric shaver to a functioning power source, the red LED charging indicator A⑧ will be lit. A complete charge takes approximately 8 hours.



Note:

If you are charging the electric shaver for the first time or if you have not used it for a long time then a complete charge requires at least 15 hours.

- Disconnect the charged electric shaver from the power source. The red LED charging indicator A⑧ will turn off. A fully charged electric shaver will run for approximately 45 minutes. The operating time may vary depending on the type of facial hair, etc.



Attention:

Do not leave the electric shaver connected to a charging source for longer than 24 hours. If you regularly charge the electric shaver for longer than 10 hours then this will negatively impact the battery capacity.

Do not use an electric shaver that is charging. Wait until it is charged.

USING THE ELECTRIC SHAVER

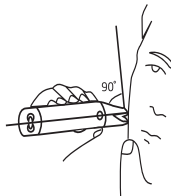
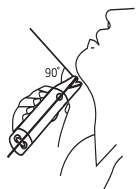
1. Remove the shaving foil protective cover A①.
2. To turn on the electric shaver, press the safety lock A⑦ while at the same time sliding the switch A⑥ upwards to the ON position.
3. Place the foil A② of the electric shaver on to your skin and make circular and direct motions against the direction of beard growth. Hold it perpendicular to the skin that you are shaving while using your other hand to keep the skin taut. Do not moisten the skin before or while shaving, and do not use a shaving cream or gel.

Electric Shaver

SMS 3011BL / SMS 3012GR / SMS 3013RD / SMS 3014TQ

EN

B



Attention:

The use of a shaving cream or gel may result in the irreparable destruction of the electric shaver!



Note:

It may take your skin two to three weeks to become accustomed to the new way of shaving.

4. After you have finished using the electric shaver, turn it off by sliding the switch A⑥ downwards to the OFF position.
5. Clean out the electric shaver after each use according to the instructions in chapter Cleaning and maintenance. After cleaning, place the protective cover A① on to the shaving foil A② to prevent its damage.

CLEANING AND MAINTENANCE

- Regular cleaning after every use will ensure the optimal performance of the electric shaver and will extend the lifetime of the shaving blades.



Attention:

This electric shaver must not be washed under the water tap. Do not spray it with water or any other liquid, do not submerge it in water or another liquid or wash it with any cleaning agents. This applies also to its parts.

- Before you start cleaning the electric shaver, check that it is turned off and disconnected from the power supply.
- Remove the shaving foil protective cover A① if it is on the shaver. Press button A⑤ and remove the cover of the swivel unit with blades A③.



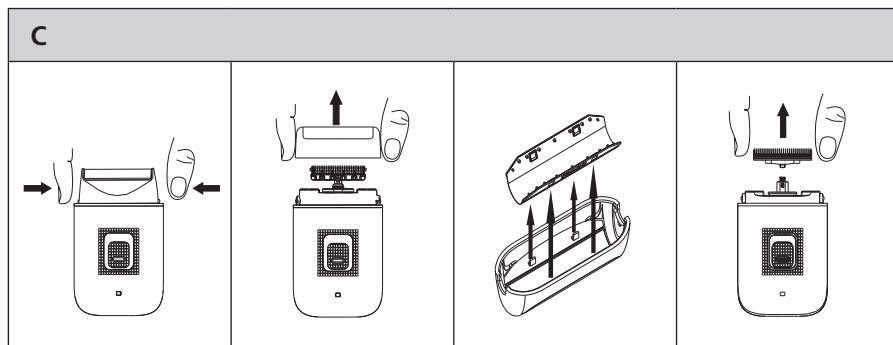
Tip:

After use, the cover A③ has residues of shaved facial hair on it and so we recommend that you remove it above a newspaper or a mat.

- Turn the cover A③ so that the foil A② points downwards. Hold the cover A③ with the foil A② between the index fingers and thumbs. Slightly push on the foil A② with your thumbs. This will release it from the cover A③. Put the foil A② and the cover A③ to the side.
- Hold the electric shaver with one hand. With the thumb and index finger of the other hand hold the shaving blade unit A④ by the sides and pull it upwards to take it off.

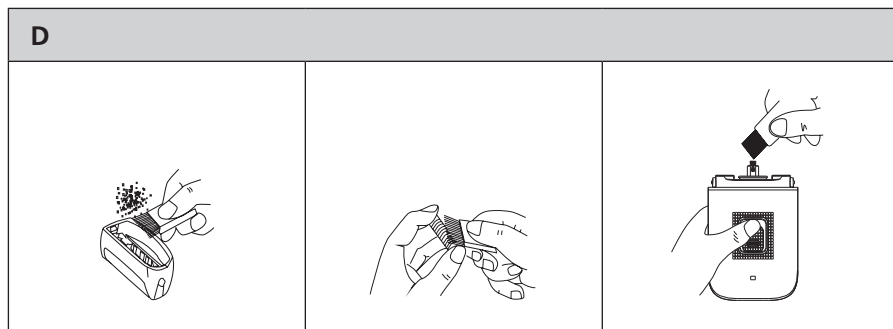
Electric Shaver

SMS 3011BL / SMS 3012GR / SMS 3013RD / SMS 3014TQ



! Attention: The shaving blades A④ are sharp so pay increased attention when handling them.

- Using the cleaning brush A⑫, thoroughly clean any remaining hair off the cover A③, the foil A②, the shaving blades A④ and the area underneath the cover and around it.



- After cleaning, properly put the swivel unit with the shaving blades A④ back in its place. Put the foil A② back into the cover A③ while ensuring that the hooks on the inner side of the cover A③ slide into the holes on the sides of the foil A②. Place the cover A③ on to the shaving blade unit A④. Finally, do not forget to put on the shaving foil protective cover A①.

REPLACEMENT OF THE SHAVING HEAD

In order to maintain maximum performance of your electric shaver, we recommended that you replace the entire shaving head at least once every two years. To order spare parts, please contact your vendor or an authorised service centre.

SMX 002 Sencor (replacement foil)

SMX 003 Sencor (replacement swivel unit with shaving blades)

Electric Shaver

SMS 3011BL / SMS 3012GR / SMS 3013RD / SMS 3014TQ

EN

TECHNICAL SPECIFICATIONS

Electric Shaver

Rated voltage	1.2 V \equiv
Rated current.....	1 A
Noise level	66 dB(A)
Dimensions (width x depth x height)	61 x 28 x 91 mm
Weight	110 g

Power adapter

Input.....	100–240 V~, 50/60 Hz, 0.15 A
Output	5 V \equiv , 0.15 A
Electric shock protection class	II

The declared noise emission level of the appliance is 66 dB(A), which represents a level A of sound power with respect to a reference sound power of 1 pW.

Explanation of technical terminology

Safety class for electric shock protection:

Class II – Electric shock protection is provided by double or heavy-duty insulation.

We reserve the right to change text and technical specifications.

INSTRUCTIONS AND INFORMATION REGARDING THE DISPOSAL OF USED PACKAGING MATERIALS

Dispose of used packaging material at a site designated for waste in your municipality.

DISPOSAL OF BATTERIES



Prior to disposing of the product or handing it over at a specialised collection facility, it is necessary to ensure that the built-in battery has been removed. Battery removal will be performed at the authorised service centre.

Batteries contain environmentally damaging compounds and therefore do not belong in standard household waste. Their correct disposal will be performed by the respective collection facility.

DISPOSAL OF USED ELECTRICAL AND ELECTRONIC EQUIPMENT



This symbol on products or original documents means that used electric or electronic products must not be added to ordinary municipal waste. For proper disposal, renewal and recycling hand over these appliances to determined collection points. Alternatively, in some European Union states or other European countries you may return your appliances to the local retailer when buying an equivalent new appliance. Correct disposal of this product helps save valuable natural resources and prevents potential negative effects on the environment and human health, which could result from improper waste disposal. Ask your local authorities or collection facility for more details. In accordance with national regulations penalties may be imposed for the incorrect disposal of this type of waste.

For business entities in European Union states

If you want to dispose of electric or electronic appliances, ask your retailer or supplier for the necessary information.

Disposal in other countries outside the European Union.

This symbol is valid in the European Union. If you wish to dispose of this product, request the necessary information about the correct disposal method from the local council or from your retailer.



This appliance meets all the basic requirements of EU directives related to it.