

## Operating instructions

**IMPORTANT SAFEGUARDS**  
When using an electrical appliance, basic precautions should always be followed, including the points listed below. Read all instructions and safeguards before using the appliance.  
**WARNING**  
To reduce the risk of injury or death by electric shock:  
1. Do not reach for an appliance that has fallen into water. Unplug immediately from the outlet.  
2. Do not use while bathing or in a shower.  
3. Do not place or store appliance where it can fall or be pulled into a tub or sink. Do not place it in or drop into water or other liquid.  
4. Always unplug this appliance before the electrical outlet immediately after using.  
5. Always use this appliance before charging.

**WARNING**  
To reduce the risk of burns, fire, electric shock or injury to persons:  
• This appliance can be used by children aged from 14 years and above and persons with reduced physical, sensory or mental capabilities or lack of experience and knowledge if they have been given supervision or instruction concerning use of the appliance in a safe way and understand the hazards involved. Children shall not play with the appliance. Cleaning and user maintenance shall not be made by children without supervision.  
Warning: Keep the Product Dry. It is essential to PREVENT electrical equipment from coming into contact with water or other liquids.  
• Use this appliance only for its intended use as described in this manual. Do not use attachments not recommended by the manufacturer.  
• If the supply cord is damaged, it must be replaced by the manufacturer or its service agent or a similarly qualified person in order to avoid a hazard.  
• Keep the cord away from heated surfaces.  
• Do not use outdoors or operate where aerosol (spray) products are being used or where oxygen is being administered.  
• Do not use the appliance with a damaged or broken cord nor with anything missing from the blades, as injury may occur.

## SAVE THESE INSTRUCTIONS

This tool is not designed for household use.  
A - Bottom blade  
B - Blade slide (on Multi-cut (MC) clipper only)  
C - Taper lever (on Multi-cut (MC) clipper only)  
D - Switch  
E - Top blade  
F - Power screw

**CLIPPER MAINTENANCE**  
Your Wahl clipper blades were aligned and sharpened before leaving our factory; however, it is possible for blades to get bumped out of alignment. Blades must be realigned if they have been removed for cleaning or replacement. To determine if realignment is necessary, compare your clipper blades with diagram G.  
1 If your clipper has a taper lever, position the taper lever in the close cut position. (H)  
2 End of top blade teeth should be approximately 1/32" (64 mm) back from bottom blade. This is important so that the clipper does not cut too close or allow the moving cutter to touch the skin.  
3 Extreme left-hand tooth of top blade must be covering or to the left of the first small tooth of bottom blade.  
4 Extreme right-hand tooth of top blade must be touching the big tooth on the bottom blade.

If blade alignment is incorrect, add a few drops of Wahl Clipper Oil to the blades, turn clipper "On" for a few moments, turn "Off" and unplug. Loosen screws slightly and adjust (steps 2-4 listed above). Tighten screws after blades are aligned. Other than blades this clipper has no user serviceable parts. (diagram I)  
**OIL** (J)  
The blades of your new clipper should be oiled every few haircuts. Simply place a few drops of Wahl Clipper Oil on the teeth of the blades. Use only the Wahl Clipper Oil included in the pack. Due to the high speed of your Wahl clipper, the correct type of oil must be used. Do not use hair oil, grease or any oil mixed with kerosene or any solvent, as the solvent will evaporate and leave the thick oil, slowing down the blades. Wahl Clipper Oil is a very thin, natural oil which will not evaporate and will not stick down the blades.  
**POWER SCREW** (Not found on all models of Wahl Clippers)  
If your clipper has a power screw, please use it when adjusted for peak efficiency before leaving the factory. However, if voltage in your home is low, you may need to readjust it.  
To adjust power, use the plastic brush, a screwdriver or a thin coin to turn power screw in a clockwise direction until the arm strikes the coil, making a noise. Then, slowly turn power out (counterclockwise), just until noise stops. Turn to the maximum power setting. (K)

**CORD**  
The cord should not be used to pull the clipper. Since freedom of movement needs to be maintained, care should be used to keep the cord untwisted and unobstructed. When stored, the cord should be coiled and the unit placed in original box or storage pouch (if provided).  
**If your clipper has a polarized plug**  
To reduce the risk of electric shock, this appliance has a polarized plug that will only fit one way. If the plug does not fit in the outlet, reverse the plug. In event the still does not fit, contact a qualified electrician to install the proper outlet. Do not change the plug in any way.  
**TAPER LEVER** (Not found on all models of Wahl Clippers)  
If your clipper has an adjustable taper lever, it is conveniently located near your thumb (if you're right-handed), so it can easily be adjusted by placing your thumb on the lever.  
The taper lever adds versatility to your clipper by allowing you to gradually change the closeness of your cut without a guide comb. When the lever is in the uppermost position, the blades will give you the closest cut and leave the hair very short. (diagram H) Pushing the lever downward gradually increases the cutting length. In its lowest position, the taper lever will leave the hair approximately the same length as the 1/8" guide comb. (diagram K)  
The taper lever will also extend the use of your blades since a different cutting edge is used in each setting. In addition, if extremely heavy haircutting has jammed the blades, it will help you remove hair that has become wedged between the blades without the need to turn the clipper. Pushing the lever down will help you "loosen cut" a couple of times. Doing this each time you've finished using your clipper will help keep the blades clear of hair. If your clipper stops cutting and this does not help, your cutting blades may be dull. Either replace them or return them to Wahl for sharpening.

## WAHL'S GUIDE TO FOOLPROOF HOME HAIRCUTTING

**Before you cut your hair**  
1 Your kit includes a plastic cape and is perfect working condition.  
2 Your kit includes a plastic cape and is perfect working condition. The cape is designed to wrap around the neck, tie the strings and overlapping the cape portion to prevent hair from falling down inside the collar. If no cape is provided, a towel will do.  
3 Position the person whose hair is to be cut on a stool or chair so that the top of his head is about even with your eyes.  
4 After combing the hair to remove all tangles, hold the clipper in a relaxed, comfortable grip, with the rimpalette (the comb) facing the hair and the power cord in your right hand. The clipper should be held in a way that allows you to work with "one cut" to "longer cut" a couple of times. Doing this each time you've finished using your clipper will help keep the blades clear of hair. If your clipper stops cutting and this does not help, your cutting blades may be dull. Either replace them or return them to Wahl for sharpening.

**WAHL'S GUIDE TO FOOLPROOF HOME HAIRCUTTING**  
1 Your kit includes a plastic cape and is perfect working condition.  
2 Your kit includes a plastic cape and is perfect working condition. The cape is designed to wrap around the neck, tie the strings and overlapping the cape portion to prevent hair from falling down inside the collar. If no cape is provided, a towel will do.  
3 Position the person whose hair is to be cut on a stool or chair so that the top of his head is about even with your eyes.  
4 After combing the hair to remove all tangles, hold the clipper in a relaxed, comfortable grip, with the rimpalette (the comb) facing the hair and the power cord in your right hand. The clipper should be held in a way that allows you to work with "one cut" to "longer cut" a couple of times. Doing this each time you've finished using your clipper will help keep the blades clear of hair. If your clipper stops cutting and this does not help, your cutting blades may be dull. Either replace them or return them to Wahl for sharpening.

**WAHL'S GUIDE TO FOOLPROOF HOME HAIRCUTTING**  
1 Your kit includes a plastic cape and is perfect working condition.  
2 Your kit includes a plastic cape and is perfect working condition. The cape is designed to wrap around the neck, tie the strings and overlapping the cape portion to prevent hair from falling down inside the collar. If no cape is provided, a towel will do.  
3 Position the person whose hair is to be cut on a stool or chair so that the top of his head is about even with your eyes.  
4 After combing the hair to remove all tangles, hold the clipper in a relaxed, comfortable grip, with the rimpalette (the comb) facing the hair and the power cord in your right hand. The clipper should be held in a way that allows you to work with "one cut" to "longer cut" a couple of times. Doing this each time you've finished using your clipper will help keep the blades clear of hair. If your clipper stops cutting and this does not help, your cutting blades may be dull. Either replace them or return them to Wahl for sharpening.

**WAHL'S GUIDE TO FOOLPROOF HOME HAIRCUTTING**  
1 Your kit includes a plastic cape and is perfect working condition.  
2 Your kit includes a plastic cape and is perfect working condition. The cape is designed to wrap around the neck, tie the strings and overlapping the cape portion to prevent hair from falling down inside the collar. If no cape is provided, a towel will do.  
3 Position the person whose hair is to be cut on a stool or chair so that the top of his head is about even with your eyes.  
4 After combing the hair to remove all tangles, hold the clipper in a relaxed, comfortable grip, with the rimpalette (the comb) facing the hair and the power cord in your right hand. The clipper should be held in a way that allows you to work with "one cut" to "longer cut" a couple of times. Doing this each time you've finished using your clipper will help keep the blades clear of hair. If your clipper stops cutting and this does not help, your cutting blades may be dull. Either replace them or return them to Wahl for sharpening.

**WAHL'S GUIDE TO FOOLPROOF HOME HAIRCUTTING**  
1 Your kit includes a plastic cape and is perfect working condition.  
2 Your kit includes a plastic cape and is perfect working condition. The cape is designed to wrap around the neck, tie the strings and overlapping the cape portion to prevent hair from falling down inside the collar. If no cape is provided, a towel will do.  
3 Position the person whose hair is to be cut on a stool or chair so that the top of his head is about even with your eyes.  
4 After combing the hair to remove all tangles, hold the clipper in a relaxed, comfortable grip, with the rimpalette (the comb) facing the hair and the power cord in your right hand. The clipper should be held in a way that allows you to work with "one cut" to "longer cut" a couple of times. Doing this each time you've finished using your clipper will help keep the blades clear of hair. If your clipper stops cutting and this does not help, your cutting blades may be dull. Either replace them or return them to Wahl for sharpening.

**WAHL'S GUIDE TO FOOLPROOF HOME HAIRCUTTING**  
1 Your kit includes a plastic cape and is perfect working condition.  
2 Your kit includes a plastic cape and is perfect working condition. The cape is designed to wrap around the neck, tie the strings and overlapping the cape portion to prevent hair from falling down inside the collar. If no cape is provided, a towel will do.  
3 Position the person whose hair is to be cut on a stool or chair so that the top of his head is about even with your eyes.  
4 After combing the hair to remove all tangles, hold the clipper in a relaxed, comfortable grip, with the rimpalette (the comb) facing the hair and the power cord in your right hand. The clipper should be held in a way that allows you to work with "one cut" to "longer cut" a couple of times. Doing this each time you've finished using your clipper will help keep the blades clear of hair. If your clipper stops cutting and this does not help, your cutting blades may be dull. Either replace them or return them to Wahl for sharpening.

**WAHL'S GUIDE TO FOOLPROOF HOME HAIRCUTTING**  
1 Your kit includes a plastic cape and is perfect working condition.  
2 Your kit includes a plastic cape and is perfect working condition. The cape is designed to wrap around the neck, tie the strings and overlapping the cape portion to prevent hair from falling down inside the collar. If no cape is provided, a towel will do.  
3 Position the person whose hair is to be cut on a stool or chair so that the top of his head is about even with your eyes.  
4 After combing the hair to remove all tangles, hold the clipper in a relaxed, comfortable grip, with the rimpalette (the comb) facing the hair and the power cord in your right hand. The clipper should be held in a way that allows you to work with "one cut" to "longer cut" a couple of times. Doing this each time you've finished using your clipper will help keep the blades clear of hair. If your clipper stops cutting and this does not help, your cutting blades may be dull. Either replace them or return them to Wahl for sharpening.

**WAHL'S GUIDE TO FOOLPROOF HOME HAIRCUTTING**  
1 Your kit includes a plastic cape and is perfect working condition.  
2 Your kit includes a plastic cape and is perfect working condition. The cape is designed to wrap around the neck, tie the strings and overlapping the cape portion to prevent hair from falling down inside the collar. If no cape is provided, a towel will do.  
3 Position the person whose hair is to be cut on a stool or chair so that the top of his head is about even with your eyes.  
4 After combing the hair to remove all tangles, hold the clipper in a relaxed, comfortable grip, with the rimpalette (the comb) facing the hair and the power cord in your right hand. The clipper should be held in a way that allows you to work with "one cut" to "longer cut" a couple of times. Doing this each time you've finished using your clipper will help keep the blades clear of hair. If your clipper stops cutting and this does not help, your cutting blades may be dull. Either replace them or return them to Wahl for sharpening.

**WAHL'S GUIDE TO FOOLPROOF HOME HAIRCUTTING**  
1 Your kit includes a plastic cape and is perfect working condition.  
2 Your kit includes a plastic cape and is perfect working condition. The cape is designed to wrap around the neck, tie the strings and overlapping the cape portion to prevent hair from falling down inside the collar. If no cape is provided, a towel will do.  
3 Position the person whose hair is to be cut on a stool or chair so that the top of his head is about even with your eyes.  
4 After combing the hair to remove all tangles, hold the clipper in a relaxed, comfortable grip, with the rimpalette (the comb) facing the hair and the power cord in your right hand. The clipper should be held in a way that allows you to work with "one cut" to "longer cut" a couple of times. Doing this each time you've finished using your clipper will help keep the blades clear of hair. If your clipper stops cutting and this does not help, your cutting blades may be dull. Either replace them or return them to Wahl for sharpening.

**WAHL'S GUIDE TO FOOLPROOF HOME HAIRCUTTING**  
1 Your kit includes a plastic cape and is perfect working condition.  
2 Your kit includes a plastic cape and is perfect working condition. The cape is designed to wrap around the neck, tie the strings and overlapping the cape portion to prevent hair from falling down inside the collar. If no cape is provided, a towel will do.  
3 Position the person whose hair is to be cut on a stool or chair so that the top of his head is about even with your eyes.  
4 After combing the hair to remove all tangles, hold the clipper in a relaxed, comfortable grip, with the rimpalette (the comb) facing the hair and the power cord in your right hand. The clipper should be held in a way that allows you to work with "one cut" to "longer cut" a couple of times. Doing this each time you've finished using your clipper will help keep the blades clear of hair. If your clipper stops cutting and this does not help, your cutting blades may be dull. Either replace them or return them to Wahl for sharpening.

**WAHL'S GUIDE TO FOOLPROOF HOME HAIRCUTTING**  
1 Your kit includes a plastic cape and is perfect working condition.  
2 Your kit includes a plastic cape and is perfect working condition. The cape is designed to wrap around the neck, tie the strings and overlapping the cape portion to prevent hair from falling down inside the collar. If no cape is provided, a towel will do.  
3 Position the person whose hair is to be cut on a stool or chair so that the top of his head is about even with your eyes.  
4 After combing the hair to remove all tangles, hold the clipper in a relaxed, comfortable grip, with the rimpalette (the comb) facing the hair and the power cord in your right hand. The clipper should be held in a way that allows you to work with "one cut" to "longer cut" a couple of times. Doing this each time you've finished using your clipper will help keep the blades clear of hair. If your clipper stops cutting and this does not help, your cutting blades may be dull. Either replace them or return them to Wahl for sharpening.

**WAHL'S GUIDE TO FOOLPROOF HOME HAIRCUTTING**  
1 Your kit includes a plastic cape and is perfect working condition.  
2 Your kit includes a plastic cape and is perfect working condition. The cape is designed to wrap around the neck, tie the strings and overlapping the cape portion to prevent hair from falling down inside the collar. If no cape is provided, a towel will do.  
3 Position the person whose hair is to be cut on a stool or chair so that the top of his head is about even with your eyes.  
4 After combing the hair to remove all tangles, hold the clipper in a relaxed, comfortable grip, with the rimpalette (the comb) facing the hair and the power cord in your right hand. The clipper should be held in a way that allows you to work with "one cut" to "longer cut" a couple of times. Doing this each time you've finished using your clipper will help keep the blades clear of hair. If your clipper stops cutting and this does not help, your cutting blades may be dull. Either replace them or return them to Wahl for sharpening.

**WAHL'S GUIDE TO FOOLPROOF HOME HAIRCUTTING**  
1 Your kit includes a plastic cape and is perfect working condition.  
2 Your kit includes a plastic cape and is perfect working condition. The cape is designed to wrap around the neck, tie the strings and overlapping the cape portion to prevent hair from falling down inside the collar. If no cape is provided, a towel will do.  
3 Position the person whose hair is to be cut on a stool or chair so that the top of his head is about even with your eyes.  
4 After combing the hair to remove all tangles, hold the clipper in a relaxed, comfortable grip, with the rimpalette (the comb) facing the hair and the power cord in your right hand. The clipper should be held in a way that allows you to work with "one cut" to "longer cut" a couple of times. Doing this each time you've finished using your clipper will help keep the blades clear of hair. If your clipper stops cutting and this does not help, your cutting blades may be dull. Either replace them or return them to Wahl for sharpening.

**WAHL'S GUIDE TO FOOLPROOF HOME HAIRCUTTING**  
1 Your kit includes a plastic cape and is perfect working condition.  
2 Your kit includes a plastic cape and is perfect working condition. The cape is designed to wrap around the neck, tie the strings and overlapping the cape portion to prevent hair from falling down inside the collar. If no cape is provided, a towel will do.  
3 Position the person whose hair is to be cut on a stool or chair so that the top of his head is about even with your eyes.  
4 After combing the hair to remove all tangles, hold the clipper in a relaxed, comfortable grip, with the rimpalette (the comb) facing the hair and the power cord in your right hand. The clipper should be held in a way that allows you to work with "one cut" to "longer cut" a couple of times. Doing this each time you've finished using your clipper will help keep the blades clear of hair. If your clipper stops cutting and this does not help, your cutting blades may be dull. Either replace them or return them to Wahl for sharpening.

**WAHL'S GUIDE TO FOOLPROOF HOME HAIRCUTTING**  
1 Your kit includes a plastic cape and is perfect working condition.  
2 Your kit includes a plastic cape and is perfect working condition. The cape is designed to wrap around the neck, tie the strings and overlapping the cape portion to prevent hair from falling down inside the collar. If no cape is provided, a towel will do.  
3 Position the person whose hair is to be cut on a stool or chair so that the top of his head is about even with your eyes.  
4 After combing the hair to remove all tangles, hold the clipper in a relaxed, comfortable grip, with the rimpalette (the comb) facing the hair and the power cord in your right hand. The clipper should be held in a way that allows you to work with "one cut" to "longer cut" a couple of times. Doing this each time you've finished using your clipper will help keep the blades clear of hair. If your clipper stops cutting and this does not help, your cutting blades may be dull. Either replace them or return them to Wahl for sharpening.

**WAHL'S GUIDE TO FOOLPROOF HOME HAIRCUTTING**  
1 Your kit includes a plastic cape and is perfect working condition.  
2 Your kit includes a plastic cape and is perfect working condition. The cape is designed to wrap around the neck, tie the strings and overlapping the cape portion to prevent hair from falling down inside the collar. If no cape is provided, a towel will do.  
3 Position the person whose hair is to be cut on a stool or chair so that the top of his head is about even with your eyes.  
4 After combing the hair to remove all tangles, hold the clipper in a relaxed, comfortable grip, with the rimpalette (the comb) facing the hair and the power cord in your right hand. The clipper should be held in a way that allows you to work with "one cut" to "longer cut" a couple of times. Doing this each time you've finished using your clipper will help keep the blades clear of hair. If your clipper stops cutting and this does not help, your cutting blades may be dull. Either replace them or return them to Wahl for sharpening.

**WAHL'S GUIDE TO FOOLPROOF HOME HAIRCUTTING**  
1 Your kit includes a plastic cape and is perfect working condition.  
2 Your kit includes a plastic cape and is perfect working condition. The cape is designed to wrap around the neck, tie the strings and overlapping the cape portion to prevent hair from falling down inside the collar. If no cape is provided, a towel will do.  
3 Position the person whose hair is to be cut on a stool or chair so that the top of his head is about even with your eyes.  
4 After combing the hair to remove all tangles, hold the clipper in a relaxed, comfortable grip, with the rimpalette (the comb) facing the hair and the power cord in your right hand. The clipper should be held in a way that allows you to work with "one cut" to "longer cut" a couple of times. Doing this each time you've finished using your clipper will help keep the blades clear of hair. If your clipper stops cutting and this does not help, your cutting blades may be dull. Either replace them or return them to Wahl for sharpening.

**WAHL'S GUIDE TO FOOLPROOF HOME HAIRCUTTING**  
1 Your kit includes a plastic cape and is perfect working condition.  
2 Your kit includes a plastic cape and is perfect working condition. The cape is designed to wrap around the neck, tie the strings and overlapping the cape portion to prevent hair from falling down inside the collar. If no cape is provided, a towel will do.  
3 Position the person whose hair is to be cut on a stool or chair so that the top of his head is about even with your eyes.  
4 After combing the hair to remove all tangles, hold the clipper in a relaxed, comfortable grip, with the rimpalette (the comb) facing the hair and the power cord in your right hand. The clipper should be held in a way that allows you to work with "one cut" to "longer cut" a couple of times. Doing this each time you've finished using your clipper will help keep the blades clear of hair. If your clipper stops cutting and this does not help, your cutting blades may be dull. Either replace them or return them to Wahl for sharpening.

**WAHL'S GUIDE TO FOOLPROOF HOME HAIRCUTTING**  
1 Your kit includes a plastic cape and is perfect working condition.  
2 Your kit includes a plastic cape and is perfect working condition. The cape is designed to wrap around the neck, tie the strings and overlapping the cape portion to prevent hair from falling down inside the collar. If no cape is provided, a towel will do.  
3 Position the person whose hair is to be cut on a stool or chair so that the top of his head is about even with your eyes.  
4 After combing the hair to remove all tangles, hold the clipper in a relaxed, comfortable grip, with the rimpalette (the comb) facing the hair and the power cord in your right hand. The clipper should be held in a way that allows you to work with "one cut" to "longer cut" a couple of times. Doing this each time you've finished using your clipper will help keep the blades clear of hair. If your clipper stops cutting and this does not help, your cutting blades may be dull. Either replace them or return them to Wahl for sharpening.

**WAHL'S GUIDE TO FOOLPROOF HOME HAIRCUTTING**  
1 Your kit includes a plastic cape and is perfect working condition.  
2 Your kit includes a plastic cape and is perfect working condition. The cape is designed to wrap around the neck, tie the strings and overlapping the cape portion to prevent hair from falling down inside the collar. If no cape is provided, a towel will do.  
3 Position the person whose hair is to be cut on a stool or chair so that the top of his head is about even with your eyes.  
4 After combing the hair to remove all tangles, hold the clipper in a relaxed, comfortable grip, with the rimpalette (the comb) facing the hair and the power cord in your right hand. The clipper should be held in a way that allows you to work with "one cut" to "longer cut" a couple of times. Doing this each time you've finished using your clipper will help keep the blades clear of hair. If your clipper stops cutting and this does not help, your cutting blades may be dull. Either replace them or return them to Wahl for sharpening.

**WAHL'S GUIDE TO FOOLPROOF HOME HAIRCUTTING**  
1 Your kit includes a plastic cape and is perfect working condition.  
2 Your kit includes a plastic cape and is perfect working condition. The cape is designed to wrap around the neck, tie the strings and overlapping the cape portion to prevent hair from falling down inside the collar. If no cape is provided, a towel will do.  
3 Position the person whose hair is to be cut on a stool or chair so that the top of his head is about even with your eyes.  
4 After combing the hair to remove all tangles, hold the clipper in a relaxed, comfortable grip, with the rimpalette (the comb) facing the hair and the power cord in your right hand. The clipper should be held in a way that allows you to work with "one cut" to "longer cut" a couple of times. Doing this each time you've finished using your clipper will help keep the blades clear of hair. If your clipper stops cutting and this does not help, your cutting blades may be dull. Either replace them or return them to Wahl for sharpening.

**WAHL'S GUIDE TO FOOLPROOF HOME HAIRCUTTING**  
1 Your kit includes a plastic cape and is perfect working condition.  
2 Your kit includes a plastic cape and is perfect working condition. The cape is designed to wrap around the neck, tie the strings and overlapping the cape portion to prevent hair from falling down inside the collar. If no cape is provided, a towel will do.  
3 Position the person whose hair is to be cut on a stool or chair so that the top of his head is about even with your eyes.  
4 After combing the hair to remove all tangles, hold the clipper in a relaxed, comfortable grip, with the rimpalette (the comb) facing the hair and the power cord in your right hand. The clipper should be held in a way that allows you to work with "one cut" to "longer cut" a couple of times. Doing this each time you've finished using your clipper will help keep the blades clear of hair. If your clipper stops cutting and this does not help, your cutting blades may be dull. Either replace them or return them to Wahl for sharpening.

**WAHL'S GUIDE TO FOOLPROOF HOME HAIRCUTTING**  
1 Your kit includes a plastic cape and is perfect working condition.  
2 Your kit includes a plastic cape and is perfect working condition. The cape is designed to wrap around the neck, tie the strings and overlapping the cape portion to prevent hair from falling down inside the collar. If no cape is provided, a towel will do.  
3 Position the person whose hair is to be cut on a stool or chair so that the top of his head is about even with your eyes.  
4 After combing the hair to remove all tangles, hold the clipper in a relaxed, comfortable grip, with the rimpalette (the comb) facing the hair and the power cord in your right hand. The clipper should be held in a way that allows you to work with "one cut" to "longer cut" a couple of times. Doing this each time you've finished using your clipper will help keep the blades clear of hair. If your clipper stops cutting and this does not help, your cutting blades may be dull. Either replace them or return them to Wahl for sharpening.

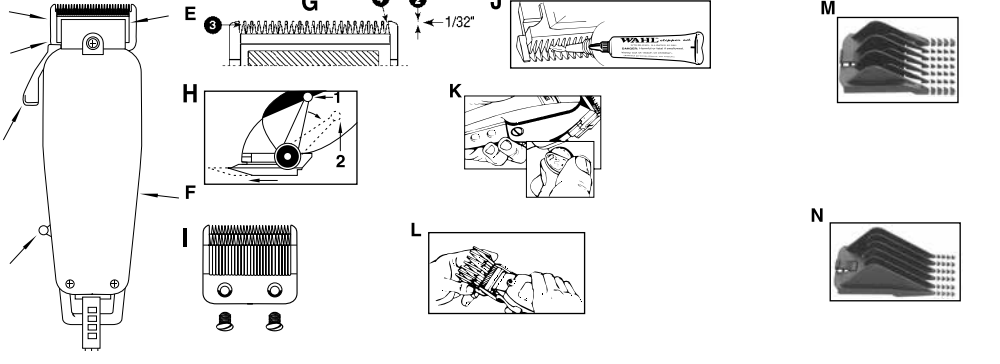
**WAHL'S GUIDE TO FOOLPROOF HOME HAIRCUTTING**  
1 Your kit includes a plastic cape and is perfect working condition.  
2 Your kit includes a plastic cape and is perfect working condition. The cape is designed to wrap around the neck, tie the strings and overlapping the cape portion to prevent hair from falling down inside the collar. If no cape is provided, a towel will do.  
3 Position the person whose hair is to be cut on a stool or chair so that the top of his head is about even with your eyes.  
4 After combing the hair to remove all tangles, hold the clipper in a relaxed, comfortable grip, with the rimpalette (the comb) facing the hair and the power cord in your right hand. The clipper should be held in a way that allows you to work with "one cut" to "longer cut" a couple of times. Doing this each time you've finished using your clipper will help keep the blades clear of hair. If your clipper stops cutting and this does not help, your cutting blades may be dull. Either replace them or return them to Wahl for sharpening.

**WAHL'S GUIDE TO FOOLPROOF HOME HAIRCUTTING**  
1 Your kit includes a plastic cape and is perfect working condition.  
2 Your kit includes a plastic cape and is perfect working condition. The cape is designed to wrap around the neck, tie the strings and overlapping the cape portion to prevent hair from falling down inside the collar. If no cape is provided, a towel will do.  
3 Position the person whose hair is to be cut on a stool or chair so that the top of his head is about even with your eyes.  
4 After combing the hair to remove all tangles, hold the clipper in a relaxed, comfortable grip, with the rimpalette (the comb) facing the hair and the power cord in your right hand. The clipper should be held in a way that allows you to work with "one cut" to "longer cut" a couple of times. Doing this each time you've finished using your clipper will help keep the blades clear of hair. If your clipper stops cutting and this does not help, your cutting blades may be dull. Either replace them or return them to Wahl for sharpening.

**WAHL'S GUIDE TO FOOLPROOF HOME HAIRCUTTING**  
1 Your kit includes a plastic cape and is perfect working condition.  
2 Your kit includes a plastic cape and is perfect working condition. The cape is designed to wrap around the neck, tie the strings and overlapping the cape portion to prevent hair from falling down inside the collar. If no cape is provided, a towel will do.  
3 Position the person whose hair is to be cut on a stool or chair so that the top of his head is about even with your eyes.  
4 After combing the hair to remove all tangles, hold the clipper in a relaxed, comfortable grip, with the rimpalette (the comb) facing the hair and the power cord in your right hand. The clipper should be held in a way that allows you to work with "one cut" to "longer cut" a couple of times. Doing this each time you've finished using your clipper will help keep the blades clear of hair. If your clipper stops cutting and this does not help, your cutting blades may be dull. Either replace them or return them to Wahl for sharpening.

**WAHL'S GUIDE TO FOOLPROOF HOME HAIRCUTTING**  
1 Your kit includes a plastic cape and is perfect working condition.  
2 Your kit includes a plastic cape and is perfect working condition. The cape is designed to wrap around the neck, tie the strings and overlapping the cape portion to prevent hair from falling down inside the collar. If no cape is provided, a towel will do.  
3 Position the person whose hair is to be cut on a stool or chair so that the top of his head is about even with your eyes.  
4 After combing the hair to remove all tangles, hold the clipper in a relaxed, comfortable grip, with the rimpalette (the comb) facing the hair and the power cord in your right hand. The clipper should be held in a way that allows you to work with "one cut" to "longer cut" a couple of times. Doing this each time you've finished using your clipper will help keep the blades clear of hair. If your clipper stops cutting and this does not help, your cutting blades may be dull. Either replace them or return them to Wahl for sharpening.

**WAHL'S GUIDE TO FOOLPROOF HOME HAIRCUTTING**  
1 Your kit includes a plastic cape and is perfect working condition.  
2 Your kit includes a plastic cape and is perfect working condition. The cape is designed to wrap around the neck, tie the strings and overlapping the cape portion to prevent hair from falling down inside the collar. If no cape is provided, a towel will do.  
3 Position the person whose hair is to be cut on a stool or chair so that the top of his head is about even with your eyes.  
4 After combing the hair to remove all tangles, hold the clipper in a relaxed, comfortable grip, with the rimpalette (the comb) facing the hair and the power cord in your right hand. The clipper should be held in a way that allows you to work with "one cut" to "longer cut" a couple of times. Doing this each time you've finished using your clipper will help keep the blades clear of hair. If your clipper stops cutting and this does not help, your cutting blades may be dull. Either replace them or return them to Wahl for sharpening.



## Gebrauchsanweisung

**WICHTIGE SICHERHEITSHINWEISE**  
Beim Gebrauch eines Elektrogerätes sollten immer grundlegende Vorsichtsmaßnahmen beachtet werden, insbesondere die folgenden aufgeführten. Lesen Sie vor Gebrauch alle Anweisungen und Sicherheitshinweise sorgfältig durch.  
**GEFÄHR**  
Vermeiden Sie das Risiko einer Verletzung oder des Todes durch einen elektrischen Schlag.  
1. Greifen Sie nicht nach einem ins Wasser gefallenen Gerät. Ziehen Sie sofort den Stecker aus der Steckdose.  
2. Verwenden Sie das Gerät nicht in der Badewanne oder unter der Dusche.  
3. Platzieren Sie das Gerät bei Verwendung in der Nähe von Wasser (z. B. in Waschbecken oder eine Wanne füllt) oder gezeugen werden könnte. Touchen Sie das Gerät nicht in Wasser oder anderen Flüssigkeiten und lassen Sie sich nicht dort hängen fallen.  
4. Ziehen Sie außer wenn Sie das Gerät aufladen, nach jedem Gebrauch den Stecker des Gerätes aus der Steckdose.  
5. Ziehen Sie vor dem Reinigen des Gerätes immer den Stecker aus der Steckdose.

**WAHRUNG**  
Zur Reduzierung des Risikos von Verletzungen, Bränden, Stromschlägen und Witterungen:  
• Dieses Gerät kann nur von Personen ab 14 Jahren und Personen mit eingeschränkter physischer, sensorischer oder geistiger Fähigkeiten oder Personen mit mangelnder Erfahrung und Wissen verwendet werden, solange dies unter Beaufsichtigung erfolgt oder sie die notwendige Anleitung zum sicheren Umgang mit diesem Gerät erhalten haben und über die damit verbundenen Risiken informiert sind.  
• Schließen Sie ausschließlich das Kabel fest. Lagern Sie in der entsprechende Buchse des Gerätes an.  
• Gebrauchen Sie dieses Gerät nicht im Freien und nicht in Räumen, in denen Aerosol-Sprays oder Staubbstaub verwendet werden.  
• Schließen Sie das Kabel immer zuerst am Gerät, anschließend an der Steckdose an und das Gerät vom Stromnetz zu trennen, schalten Sie zu zuerst aus OFF und ziehen Sie dann den Stecker aus der Steckdose.  
**HEBEN SIE DIESE ANLEITUNG SORGFÄLTIG AUF**  
Diese Haarschneidemaschine ist für den privaten Gebrauch bestimmt.  
A - Untere Klinge  
B - Klingelängereinrichtung (nur bei Multi-cut-Haarschneidemaschinen (MC))  
C - Schnittlängereinrichtung (nur bei Multi-cut-Haarschneidemaschinen (MC))  
D - Schalter  
E - Rührer Klinge  
F - Schraube für Leistungswahl  
**WARTUNG DER HAARSCHNEIDEMASCHINE**  
Die Klingen der Haarschneidemaschine von Wahl sind werksseitig geölt und ausgerichtet worden. Dennoch kann die Klinge missen, dass die Ausrichtung der Klinge nicht mehr stimmt und eine Neuausrichtung erforderlich wird. Klingen müssen neu ausgerichtet werden, wenn sie für Reinigungs- oder Austauschzwecke entnommen worden sind. Um festzustellen, ob eine Neuausrichtung erforderlich ist, vergleichen Sie die Klingen Ihrer Haarschneidemaschine mit der Zeichnung (G).  
1 Wenn die Haarschneidemaschine mit einem Schnittlängereinrichtung ausgerüstet ist, stellen Sie diese Schnittlängereinrichtung auf die Stufe mit der kürzesten Schnittlänge ein. (H)  
2 Das Ende der Zähne der Klinge sollte etwa 0,64 mm (1/32 in.) hinter der unteren Klinge zurückstecken. Dies ist wichtig, damit die Haarschneidemaschine nicht zu kurz schneidet und damit der Schneidesitz bei der nächsten Zugschneide (I) nicht zu kurz ist.  
3 Der äußerste linke Zahn der oberen Klinge muss den ersten kleinen Zahn der unteren Klinge abdecken oder sich links neben diesem befinden.  
4 Der äußerste rechte Zahn der oberen Klinge muss den großen Zahn der unteren Klinge berühren. Wenn die Klingen falsch ausgerichtet sind, geben Sie einige Tropfen Wahl Clipper Öl auf die Klingen, stellen Sie die Haarschneidemaschine kurz auf "Ein", (Ein, dann auf "Off" (Aus), und ziehen Sie den Netzstecker des Gerätes ab. Wiederholen Sie diesen Vorgang bis die Klingen wieder an die gewünschte Stelle ausgerichtet sind.  
5 Wenn die Klingen ausgerichtet sind, ziehen Sie die Schrauben wieder an, nachdem Sie die Klingen ausgerichtet haben. Die Schritte 2-4 werden wiederholt, bis diese Haarschneidemaschine über keine vom Benutzer zu wartenden Teile. (I)  
**ÖL** (J)  
Die Klingen Ihrer neuen Haarschneidemaschine sollten jeweils nach einem Haarschnitt geölt werden. Geben Sie einfach einige Tropfen Wahl Clipper Öl auf die Zähne der Klingen. Verwenden Sie nur das in der Verpackung enthaltene Wahl Clipper Öl. Wegen der hohen Geschwindigkeit, mit der die Wahl-Haarschneidemaschine arbeitet, müssen Sie den richtigen Öl-Typ verwenden. Verwenden Sie ein hochwertiges Öl, das in der Verpackung als "Haarschnittöl" bezeichnet wird. Das Öl muss leichtflüchtig und zähflüssiger als Zündöl sein, was zur Folge hat, dass die Bewegung der Klingen verlangsamt wird. Wahl Clipper Öl ist ein sehr dünnflüssiges, naturbasiertes Öl, das sich nicht verflüchtigt und das die Geschwindigkeit nicht beeinträchtigt.  
3 Der äußerste linke Zahn der oberen Klinge muss den ersten kleinen Zahn der unteren Klinge abdecken oder sich links neben diesem befinden.  
4 Der äußerste rechte Zahn der oberen Klinge muss den großen Zahn der unteren Klinge berühren. Wenn die Klingen falsch ausgerichtet sind, geben Sie einige Tropfen Wahl Clipper Öl auf die Klingen, stellen Sie die Haarschneidemaschine kurz auf "Ein", (Ein, dann auf "Off" (Aus), und ziehen Sie den Netzstecker des Gerätes ab. Wiederholen Sie diesen Vorgang bis die Klingen wieder an die gewünschte Stelle ausgerichtet sind.  
5 Wenn die Klingen ausgerichtet sind, ziehen Sie die Schrauben wieder an, nachdem Sie die Klingen ausgerichtet haben. Die Schritte 2-4 werden wiederholt, bis diese Haarschneidemaschine über keine vom Benutzer zu wartenden Teile. (I)  
**ÖL** (J)  
Die Klingen Ihrer neuen Haarschneidemaschine sollten jeweils nach einem Haarschnitt geölt werden. Geben Sie einfach einige Tropfen Wahl Clipper Öl auf die Zähne der Klingen. Verwenden Sie nur das in der Verpackung enthaltene Wahl Clipper Öl. Wegen der hohen Geschwindigkeit, mit der die Wahl-Haarschneidemaschine arbeitet, müssen Sie den richtigen Öl-Typ verwenden. Verwenden Sie ein hochwertiges Öl, das in der Verpackung als "Haarschnittöl" bezeichnet wird. Das Öl muss leichtflüchtig und zähflüssiger als Zündöl sein, was zur Folge hat, dass die Bewegung der Klingen verlangsamt wird. Wahl Clipper Öl ist ein sehr dünnflüssiges, naturbasiertes Öl, das sich nicht verflüchtigt und das die Geschwindigkeit nicht beeinträchtigt.

**WAHRUNG**  
Zur Reduzierung des Risikos von Verletzungen, Bränden, Stromschlägen und Witterungen:  
• Dieses Gerät kann nur von Personen ab 14 Jahren und Personen mit eingeschränkter physischer, sensorischer oder geistiger Fähigkeiten oder Personen mit mangelnder Erfahrung und Wissen verwendet werden, solange dies unter Beaufsichtigung erfolgt oder sie die notwendige Anleitung zum sicheren Umgang mit diesem Gerät erhalten haben und über die damit verbundenen Risiken informiert sind.  
• Schließen Sie ausschließlich das Kabel fest. Lagern Sie in der entsprechende Buchse des Gerätes an.  
• Gebrauchen Sie dieses Gerät nicht im Freien und nicht in Räumen, in denen Aerosol-Sprays oder Staubbstaub verwendet werden.  
• Schließen Sie das Kabel immer zuerst am Gerät, anschließend an der Steckdose an und das Gerät vom Stromnetz zu trennen, schalten Sie zu zuerst aus OFF und ziehen Sie dann den Stecker aus der Steckdose.  
**HEBEN SIE DIESE ANLEITUNG SORGFÄLTIG AUF**  
Diese Haarschneidemaschine ist für den privaten Gebrauch bestimmt.  
A - Untere Klinge  
B - Klingelängereinrichtung (nur bei Multi-cut-Haarschneidemaschinen (MC))  
C - Schnittlängereinrichtung (nur bei Multi-cut-Haarschneidemaschinen (MC))  
D - Schalter  
E - Rührer Klinge  
F - Schraube für Leistungswahl  
**WARTUNG DER HAARSCHNEIDEMASCHINE**  
Die Klingen der Haarschneidemaschine von Wahl sind werksseitig geölt und ausgerichtet worden. Dennoch kann die Klinge missen, dass die Ausrichtung der Klinge nicht mehr stimmt und eine Neuausrichtung erforderlich wird. Klingen müssen neu ausgerichtet werden, wenn sie für Reinigungs- oder Austauschzwecke entnommen worden sind. Um festzustellen, ob eine Neuausrichtung erforderlich ist, vergleichen Sie die Klingen Ihrer Haarschneidemaschine mit der Zeichnung (G).  
1 Wenn die Haarschneidemaschine mit einem Schnittlängereinrichtung ausgerüstet ist, stellen Sie diese Schnittlängereinrichtung auf die Stufe mit der kürzesten Schnittlänge ein. (H)  
2 Das Ende der Zähne der Klinge sollte etwa 0,64 mm (1/32 in.) hinter der unteren Klinge zurückstecken. Dies ist wichtig, damit die Haarschneidemaschine nicht zu kurz schneidet und damit der Schneidesitz bei der nächsten Zugschneide (I) nicht zu kurz ist.  
3 Der äußerste linke Zahn der oberen Klinge muss den ersten kleinen Zahn der unteren Klinge abdecken oder sich links neben diesem befinden.  
4 Der äußerste rechte Zahn der oberen Klinge muss den großen Zahn der unteren Klinge berühren. Wenn die Klingen falsch ausgerichtet sind, geben Sie einige Tropfen Wahl Clipper Öl auf die Klingen, stellen Sie die Haarschneidemaschine kurz auf "Ein", (Ein, dann auf "Off" (Aus), und ziehen Sie den Netzstecker des Gerätes ab. Wiederholen Sie diesen Vorgang bis die Klingen wieder an die gewünschte Stelle ausgerichtet sind.  
5 Wenn die Klingen ausgerichtet sind, ziehen Sie die Schrauben wieder an, nachdem Sie die Klingen ausgerichtet haben. Die Schritte 2-4 werden wiederholt, bis diese Haarschneidemaschine über keine vom Benutzer zu wartenden Teile. (I)  
**ÖL** (J)  
Die Klingen Ihrer neuen Haarschneidemaschine sollten jeweils nach einem Ha

