

# Hair Clipper

User's manual

EN



**SENCOR®**

SHP 3301BL / SHP 3302RD  
SHP 4301BL / SHP 4302RD

Prior to using this appliance, please read the user's manual thoroughly, even in cases, when one has already familiarised themselves with previous use of similar types of appliances. Only use the appliance in the manner described in this user's manual. Keep this user's manual in a safe place where it can be easily retrieved for future use.

We recommend saving the original cardboard box, packaging material, purchase receipt and responsibility statement of the vendor and warranty card for at least the duration of the legal liability for unsatisfactory performance or quality. In the event of transportation, we recommend that you pack the appliance in the original box from the manufacturer.

## TABLE OF CONTENTS

IMPORTANT SAFETY INSTRUCTIONS . . . . .	3
DESCRIPTION OF THE HAIR CLIPPER AND ITS ACCESSORIES . . . . .	5
CHARGING THE HAIR CLIPPER . . . . .	6
OPERATING THE HAIR CLIPPER . . . . .	6
CLEANING AND MAINTENANCE . . . . .	8
TECHNICAL SPECIFICATIONS . . . . .	10
INSTRUCTIONS AND INFORMATION REGARDING THE DISPOSAL OF THE USED PACKAGING MATERIALS . . . . .	11
DISPOSAL OF THE USED BATTERIES . . . . .	11
DISPOSAL OF THE USED ELECTRICAL AND ELECTRONIC EQUIPMENT . . . . .	11

# Hair Clipper

SHP 3301BL / SHP 3302RD / SHP 4301BL / SHP 4302RD

EN

## IMPORTANT SAFETY INSTRUCTIONS

### READ CAREFULLY AND STORE FOR FUTURE USE.

- This hair clipper may be used by children 8 years of age and older and by persons with physical or mental impairments or by inexperienced persons, if they are properly supervised or have been informed about how to use the hair clipper in a safe manner and understand the potential dangers. Cleaning and user maintenance must not be performed by children unless they are older than 8 years of age and under supervision. Keep the hair clipper and its power adapter out of the reach of children that are younger than 8 years of age. Do not allow children to play with the hair clipper.
- This hair clipper is intended for home use only and is designed for cutting human hair and beards. Do not use it for commercial purposes or for trimming animal fur.
- Only use the hair clipper with the original power adapter and the comb attachment that is supplied with it.
- Before connecting the adapter to a power outlet, make sure the voltage stated on its rating label corresponds to the voltage in your power socket.
- Do not expose the hair clipper (including its accessories) to the outdoor environment, extreme temperatures, direct sunlight, excessive humidity or excessively dusty environments.
- Do not place the hair clipper (including its accessories) near heaters, open fires or other equipment that is a source of heat.



#### **Warning:**

- Do not use the hair clipper in the bath or shower. Do not clean it under a water tap, do not spray it with water or any other liquid or submerge it in water or any another liquid.
- Charge and use the hair clipper at a sufficient distance from the bath, wash basin or other containers filled with water.

# Hair Clipper

SHP 3301BL / SHP 3302RD / SHP 4301BL / SHP 4302RD

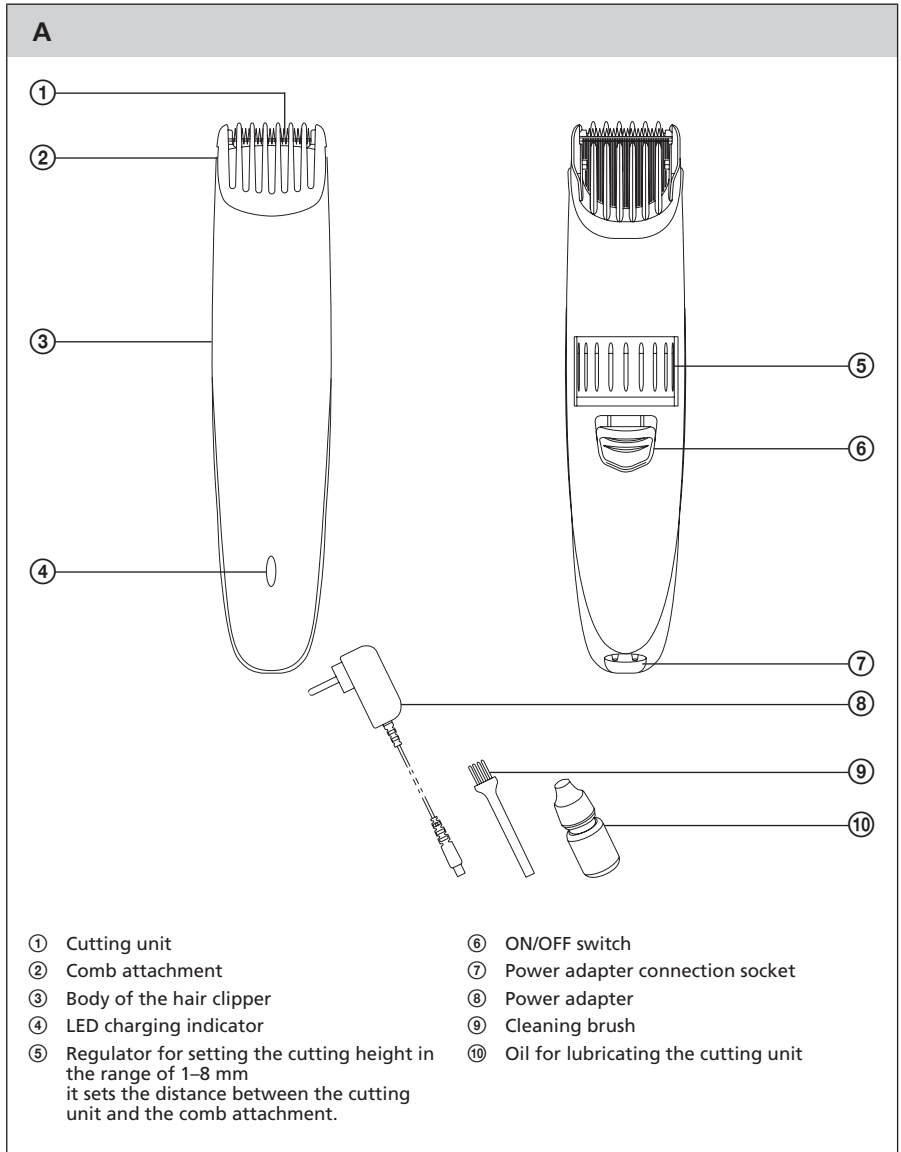
- Keep the hair clipper at a sufficient distance from eyes and clothing.
- Do not disconnect the power adapter from the power socket by pulling on the power cord. This could damage the power adapter or the power socket. Disconnect the power adapter from the power socket by pulling on the plug.
- Do not place the power adapter cord over sharp objects.
- In the event that the hair clipper, comb attachment or the power adapter is damaged in any way, do not use it.
- In order to prevent a hazardous situation arising, do not repair the hair clipper or any of its accessories yourself or modify it in any way. For all repairs, contact an authorised service centre. By tampering with the product you risk voiding your legal rights arising from unsatisfactory performance or quality warranty.

# Hair Clipper

SHP 3301BL / SHP 3302RD / SHP 4301BL / SHP 4302RD

EN

## DESCRIPTION OF THE HAIR CLIPPER AND ITS ACCESSORIES



# Hair Clipper

SHP 3301BL / SHP 3302RD / SHP 4301BL / SHP 4302RD

## CHARGING THE HAIR CLIPPER

- This hair clipper contains a built-in Ni-MH battery and therefore it is recommended to charge, use and store it at an ambient temperature of 15–30 °C.
- Make sure that switch A⑥ is set to the OFF (turned off) position before charging the hair clipper. Plug the power adapter connector A⑧ to the socket A⑦. Connect the power adapter A⑧ to an electrical power socket (220–240 V).
- After connecting the hair clipper to a power socket, the LED charging indicator A④ will be lit. A complete charge takes approximately 8 hours.



### Note:

If you are charging the hair clipper for the first time or if you have not used it for a long time (longer than 3 months) then a complete charge requires at least 16 hours.



### Attention:

Do not use the hair clipper while it is charging.

- Disconnect the charged hair clipper from the power adapter A⑧ and unplug the power adapter A⑧ from the electrical power socket. After disconnecting the hair clipper from the power adapter A⑧, the LED charging indicator A④ will turn off. A fully charged hair clipper will run for approximately 50 minutes.

### Recommendations for achieving the longest possible battery lifetime:

- Charge the hair clipper at room temperature.
- Do not leave the hair clipper connected to the electrical power source for longer than is necessary to charge it.
- Do not wait for the hair clipper to become completely flat. It is better to recharge the battery before the battery is completely flat.
- Ideally, store the hair clipper fully charged.
- If you do not use the hair clipper for a long time, charge it at least once every 6 months.

## OPERATING THE HAIR CLIPPER

- The hair clipper is suitable for cutting dry or lightly dampened hair or beards. Do not use it to cut hair that has just been washed.
- Prior to every use, check that the cutting unit A① or the comb attachment A② are not damaged.

### 1. CUTTING WITH THE COMB ATTACHMENT

#### 1.1 CUTTING HAIR

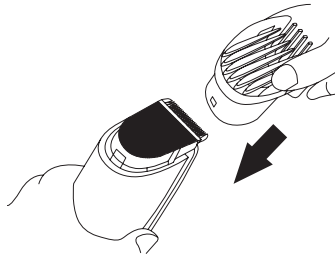
- Use the hair clipper on clean, dry or lightly dampened hair. Before cutting hair, thoroughly comb out the hair in the direction of growth.
- Seat the person whose hair you will be cutting in such a way that their head is at the height of your chest. Use a towel to cover the neck and shoulders to protect clothing from hair clippings.
- Place the comb attachment A② onto the cutting unit A①. The guide bars on the sides of the attachment A② must fit into the grooves on the sides of the cutting unit A①.

# Hair Clipper

SHP 3301BL / SHP 3302RD / SHP 4301BL / SHP 4302RD

EN

B



- Use the regulator A⑤ to set the desired hair cut height in the range from 1 to 8 mm. If you are using the hair clipper for the first time, it is recommended to first try a longer cut and only thereafter adjust the setting as required.
- Turn on the hair clipper by sliding switch A⑥ to the ON position.



#### **Attention:**

The cutting unit A① will cut off all hair that comes into contact with it, therefore be especially careful when handling the hair clipper while it is running.

- To ensure an even haircut, the flat part of the comb attachment A② must constantly remain in contact with the scalp. Slowly move the hair clipper against the direction of hair growth.
- Regularly remove hair accumulating in the attachment A②. Prior to removing the hair, turn off the hair clipper. Hold the attachment A② by the sides and slide it off in the direction away from the cutting unit A①. Remove the hair and then attach the attachment A② back onto the cutting unit A①. Set the cutting height again, turn on the hair clipper and continue with the haircut.
- When you have finished using the hair clipper, turn it off by moving switch A⑥ to the OFF position and clean it out according to the instructions in the chapter 'Cleaning and Maintenance'.

## **1.2 TRIMMING A BEARD**

- Proceed in the same way as when cutting hair. Trim the beard when it is dry without the use of shaving gels or foams.
- Trim the beard by slowly moving against the growth direction of the beard, going from the bottom upwards. Please remember that the comb attachment A② must constantly remain in contact with the skin to ensure an even cut. After reattaching the attachment A② back onto the cutting unit A①, do not forget to set the cutting height again.

## **2. TRIMMING WITHOUT THE COMB ATTACHMENT**

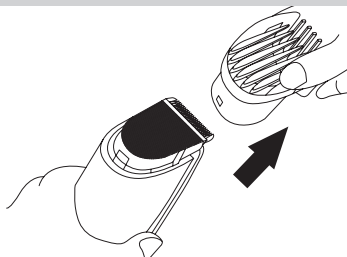
### **2.1 CUTTING HAIR**

- Use the hair clipper on clean, dry or lightly dampened hair. Before cutting hair, thoroughly comb out the hair in the direction of growth.
- Seat the person whose hair you will be cutting in such a way that their head is at the height of your chest. Use a towel to cover the neck and shoulders to protect clothing from hair clippings.
- Hold the comb attachment A② by the sides and slide it off in the direction away from the cutting unit A①. When the hair clipper is used without the comb attachment A②, the cut will correspond to a height of approximately 0.5 mm.

# Hair Clipper

SHP 3301BL / SHP 3302RD / SHP 4301BL / SHP 4302RD

C



- Turn on the hair clipper by sliding switch A6 to the ON position.



**Attention:**

The cutting unit A1 will cut off all hair that comes into contact with it, therefore be especially careful when handling the hair clipper while it is running.

- Cutting without the comb attachment A2 is used primarily for trimming up sideburns and the ear line and the nape of the neck. When trimming the ear line, hold the hair clipper so that the blade of the cutting unit A1 points downwards ensuring that only the cutting blades are in contact with the hair. When trimming the line at the nape of the neck, hold the hair clipper so that the blade of the cutting unit A1 points downwards. Touch the skin with the cutting blade only very lightly.
- When you have finished using the hair clipper, turn it off by moving switch A6 to the OFF position and clean it out according to the instructions in the chapter 'Cleaning and Maintenance'

## 2.2 TRIMMING A BEARD

- Proceed in the same way as when cutting hair. Trim the beard when it is dry without the use of shaving gels or foams.
- Trim the beard by slowly moving against the growth direction of the beard, going from the bottom upwards.

## CLEANING AND MAINTENANCE

- Before starting to clean the hair clipper, make sure that it is turned off and disconnected from the power socket.
- Regular cleaning after every use will ensure optimal performance of the hair clipper.



**Attention:**

This hair clipper is not designed to be washed under the water tap. Do not spray the hair clipper or the power adapter A6 with water or any other liquid or submerge it in water or any another liquid.

## CLEANING

- Remove the comb attachment A2 from the cutting unit A1 if attached. Hold the hair clipper in your hand so that your thumb is located on the cutting blade. Use your thumb to push the cutting blade from the body of the hair clipper A3 until the cutting unit A1 is completely released. Take the cutting unit A1 off the body of the hair clipper A3. Use the brush A9 to remove all hair or beard remains from the cutting unit A1 and from the area of the body of the hair clipper A3 underneath the cutting unit A1. After cleaning, reattach the cutting unit A1 to the body of the hair clipper A3. Position the cut-out at the foot of cutting unit A1 against the notch on the body of the hair clipper A3 and then push the cutting unit A1 onto the body of the hair clipper A3 until there is an audible click.



# Hair Clipper

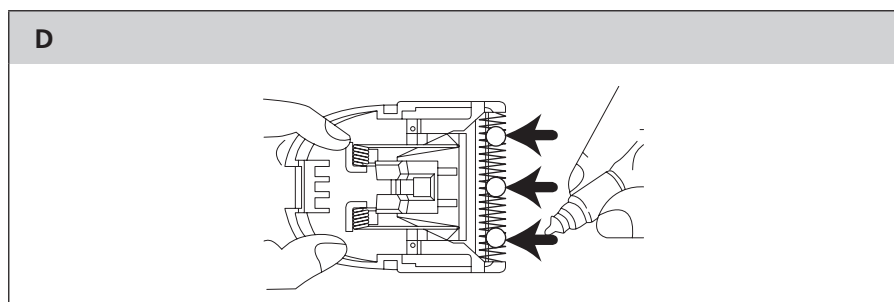
SHP 3301BL / SHP 3302RD / SHP 4301BL / SHP 4302RD

EN

- Clean out the body of the hair clipper A③ and the comb attachment A② with a clean dry cloth. In the event that it is very dirty, you can use a lightly dampened cloth. Then wipe everything so that it is thoroughly dry.
- To clean the adapter A⑧, use a clean, dry cloth.
- Do not use abrasive cleaning products, thinners, solvents, etc. for cleaning.

## LUBRICATING THE CUTTING UNIT

- We recommend that the cutting unit A① is lubricated after every use after it has been cleaned out.
- Remove the cutting unit A① from the body of the hair clipper as described in the Cleaning sub-chapter.
- Apply two to three drops of oil A⑩ between the cutting teeth and smear evenly. Wipe off excess oil using a clean, dry cloth.



- When all the supplied oil A⑩ has been used up, use an oil that does not contain acids (e.g. sewing machine oil).
- Reattach the cutting unit A① back onto the body of the hair clipper A③ as described in the Cleaning sub-chapter.

## LIFETIME AND REPLACEMENT OF THE CUTTING UNIT

- The cutting unit A① must be replaced once every two years, under the assumption that the hair clipper is used approximately four times per month for a duration of 20 minutes, or sooner when it shows signs of wear or is damaged in any way.
- Please contact an authorised service centre to order a replacement cutting unit A①.

# Hair Clipper

SHP 3301BL / SHP 3302RD / SHP 4301BL / SHP 4302RD

## TECHNICAL SPECIFICATIONS

Hair clipper SHP 3301BL / SHP 3302RD

Input..... 6 V~, 100 mA

Built-in battery ..... 1 x AA 1.2 V 600 mAh Ni-MH

Noise level ..... 70 dB(A)

Hair clipper SHP 4301BL/ SHP 4302RD

Input..... 6 V~, 100 mA

Built-in battery ..... 2 x AA 1.2 V 600 mAh Ni-MH

Noise level ..... 70 dB(A)

Power adapter

Input ..... 220–240 V~, 50/60 Hz, max. 7 W

Output ..... 6 V~, 100 mA

Electric shock protection class ..... II

The declared noise emission level of the appliance is 70 dB(A), which represents a level A of sound power with respect to a reference sound power of 1 pW.

### Explanation of technical terminology

Safety class for electric shock protection:

Class II – Electric shock protection is provided by double or heavy-duty insulation.

We reserve the right to change any text and technical specifications.

# Hair Clipper

SHP 3301BL / SHP 3302RD / SHP 4301BL / SHP 4302RD

EN

## INSTRUCTIONS AND INFORMATION REGARDING THE DISPOSAL OF THE USED PACKAGING MATERIALS

Dispose of used packaging materials at a site designated for waste in your municipality.

### DISPOSAL OF THE USED BATTERIES



Prior to disposing of the product or handing it over at a specialised collection facility, it is necessary to ensure that the built-in battery has been removed. Battery removal will be performed at the authorised service centre.

Batteries contain environmentally damaging compounds and therefore do not belong in standard household waste. Their correct disposal will be performed by the respective collection facility.

### DISPOSAL OF THE USED ELECTRICAL AND ELECTRONIC EQUIPMENT



This symbol on products or original documents means that used electric or electronic products must not be added to ordinary municipal waste. For proper disposal, renewal and recycling hand over these appliances to specified collection points. Alternatively, in some European Union states or other European countries you may return your appliances to the local retailer when buying an equivalent new appliance. Correct disposal of this product helps save valuable natural resources and prevents potential negative effects on the environment and human health, which could result from improper waste disposal. Ask your local authorities or collection facility for more details. In accordance with national regulations, penalties may be imposed for the incorrect disposal of this type of waste.

#### For business entities in European Union states

If you want to dispose of electric or electronic appliances, ask your retailer or supplier for the necessary information.

#### Disposal in other countries outside the European Union.

This symbol is valid in the European Union. If you wish to dispose of this product, request the necessary information about the correct disposal method from the local council or from your retailer.



This appliance meets all the basic requirements of the EU directives related to it.

# Hair Clipper

SHP 3301BL / SHP 3302RD / SHP 4301BL / SHP 4302RD