

INSTRUCTION FOR INSTALLATION

Technical Specifications

Testing pressure 15 bar
 Cold water inlet blue dot right side
 Hot water inlet red dot left side

Working limits according to UNI 10234 EN (817)

Pressure Min 0,5 bar Max 10 bar
 Temperature Max 90°C

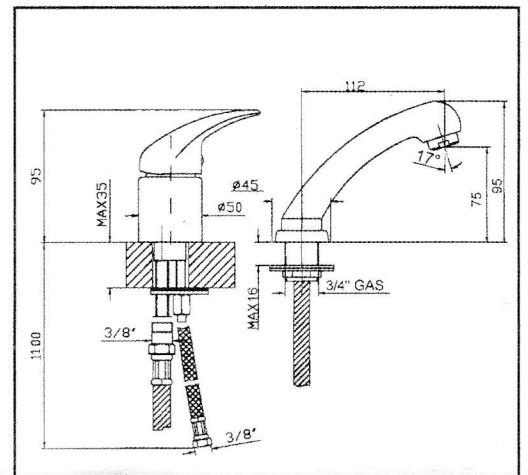
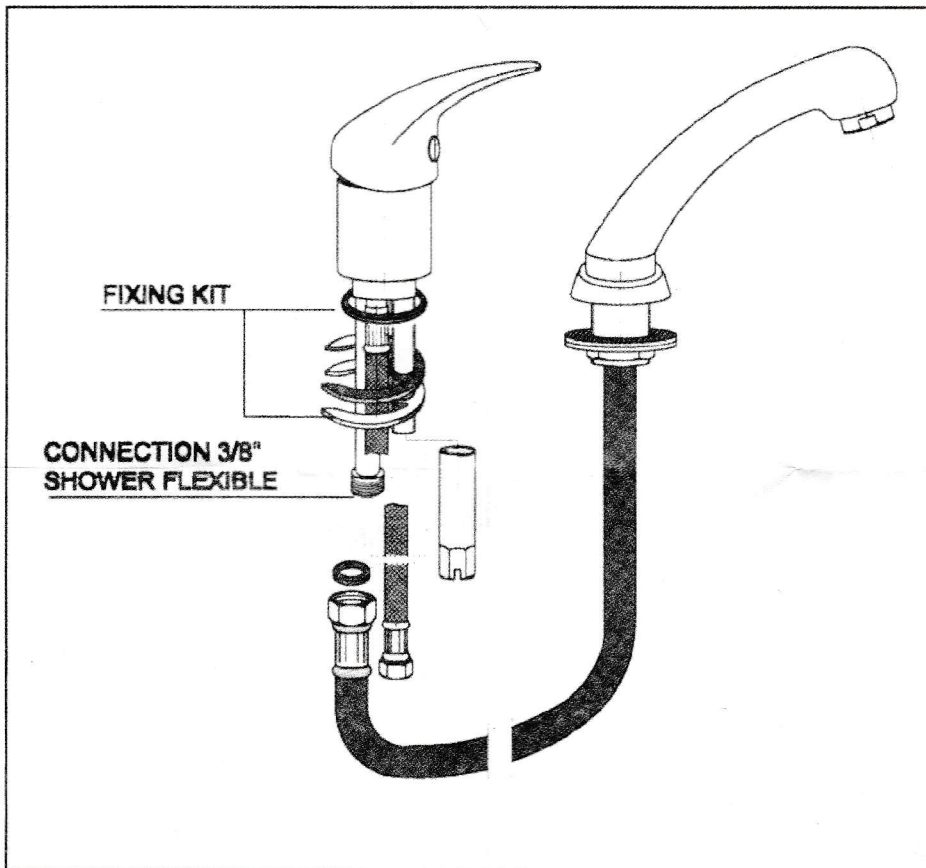
Restrictions on usage recommended by EN 817 "for good operation" of the faucet:

Pressure Min. 1 bar Max. 5 bar
 Temperature Max. 65°C

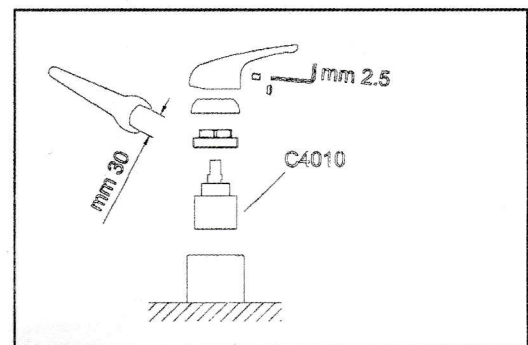
Notice

- It is necessary to rinse thoroughly all tubes of the installation in order to prevent small stones or filings from damaging the mixers.
- In case of working pressure of more than 5 bar it is recommended to install a pressure reducer
- It is also recommended to install a centralised filter in case of water containing impurities.

INSTALLATION



MAINTENANCE



GUARANTEE

Gamox guarantees for 5 years from the date of installation the two-hand mixers and the single control mixer. Showers and flexible tubes are guaranteed for 6 months.

Eventual requests for replacement under guarantee can be submitted only if accompanied by presentation of a document of purchase of the product. The guarantee is valid only against defect of production, and gives the right of a free replacement of the defective piece.

The guarantee will not be retained as valid in event of one of the following cases:

- Mishandling of the product
- Wrong installation
- Use of Pressures and Temperatures different from those advised.
- Use of impure water, particularly water with the presence of foreign bodies
- Cleaning of the surfaces of the mixers with corrosive or abrasive agents. It is advised to clean the surfaces with water and neutral soap.

GAMOX RUBINETTERIE s.r.l. VIA DELL'IMPRESA, 21/23 - 46043 CASTIGLIONE DELLE STIVIERE - MANTOVA

Tel. +39 0376 636954 Fax +39 0376 940847 ITALIA

www.gamox.it E-Mail info@gamox.it