

# Curling Iron

User's manual

EN



**SENCOR<sup>®</sup>**

SHS 7603

Prior to using this product, please read the user's manual thoroughly, even in cases, when one has already familiarised themselves with previous use of similar types of products. Only use the product in the manner described in this user's manual. Keep the user's manual in a safe place where it can be easily retrieved for future use.

We recommend saving the original shipping cardboard box, packaging material, receipt and warranty card for the duration of warranty. In the case of transportation, pack the product using the original packaging materials only.

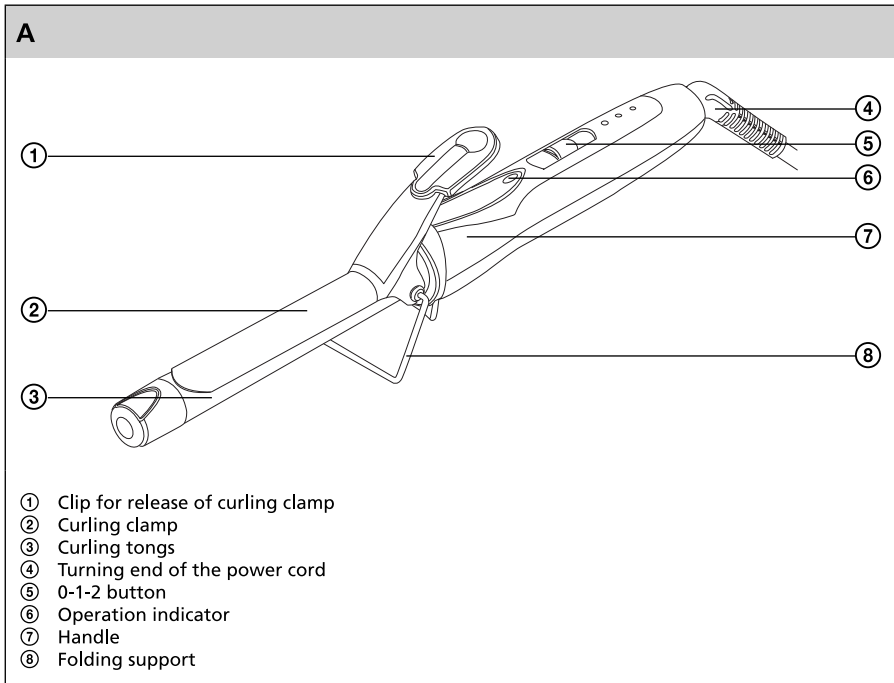
**CONTENTS**

IMPORTANT SAFETY INSTRUCTIONS.....	3
DESCRIPTION .....	4
INSTRUCTIONS FOR USE.....	5
MAINTENANCE AND CLEANING .....	5
TECHNICAL DETAILS.....	5
INCLUDED CONTENTS .....	5
DISPOSAL OF USED ELECTRICAL AND ELECTRONIC EQUIPMENT .....	6
INSTRUCTIONS AND INFORMATION ABOUT THE HANDLING OF USED PACKAGING .....	6

## IMPORTANT SAFETY INSTRUCTIONS

- Carefully unpack the product and take care not to throw away any part of the packaging before you find all the parts of the product.
- This product must not be used by persons (including children) with physical or mental impairments or by inexperienced persons, unless properly trained or schooled in the safe use of the product, or unless they have been properly supervised by a qualified person who will be responsible for their safety.
- Use extra care if the product is used near children. Always keep the product out of the reach of children. Children must be supervised to ensure that they do not play with the product.
- Before connecting this product to the socket outlet, make sure the voltage stated on the label of the product corresponds to the voltage in your wall socket.
- Never use the product in the near vicinity of a bath, shower or swimming pool.
- Never use accessories, which have not been supplied with this product or which are not designed for this product.
- Make sure that the electric cable and plug cannot get in contact with water or dampness.
- Do not spray the product with water or any other liquid. Do not submerge this product and any of its components in water, or any liquids.
- This product is designed for household use. Do not use it in industrial environment, or outdoors!
- Do not use sprays in the vicinity of the product.
- If you will not be using the product, disconnect it from the electrical grid. Before cleaning or moving proceed in the same manner.
- Do not place the product on or near an electrical or gas stove. Do not place the product near heat producing products such as fireplaces etc.
- Do not use the product if it has a damaged electric cable/electric cable plug.
- In no case should you attempt to repair the product yourself, do not make any amendments to it - danger of electric shock! Entrust all repairs and adjustments of this product to a specialised company/service. Failure to do so will expose you to a danger of voiding the warranty policy.
- In case the electric cord is damaged, have it replaced by an expert service. Do not use the product if it has a damaged power cord/plug.
- Do not place the electric cord of the product near hot surfaces, or over sharp objects. Do not place heavy objects on the power cord, position the cord so that it is not stepped on, or tripped over. Make sure the power cable does not hang over the edge of a table, or that it does not touch a hot surface.
- Do not disconnect the product from the power point by pulling the electric cord - it may damage the electric cord/power point. Disconnect the cable from the power point by gently pulling the plug of the electric cable.
- Do not use the product for any other purposes than those intended.
- In case you use the product in the bathroom, unplug it from the socket after use by removing the plug from the socket, as the presence of water poses danger, even when the curling iron is turned off.
- To insure additional safety, it is recommended to install an Residual Current Device (RCD) into the electric circuit to the bathroom with a maximum current rating of 30 mA. Ask a electrician for advice.
- The manufacturer takes no responsibility for damages caused by the incorrect use of this product and its accessories (injuries, burns, scalding, fire, food spoilage, etc.).

## DESCRIPTION



## INSTRUCTIONS FOR USE

- 1) Check that the voltage in your electrical socket corresponds to the voltage specified for the product.
- 2) Insert the power plug into the power socket.
- 3) Switch the main switch to the 1 position (lower temperature) or 2 position (higher temperature) and wait until the curling iron heats up to operating temperature.
- 4) Separate a small lock of hair.
- 5) Press the clip to release the curling clamps, place the end of the lock of hair to the curling iron and release the clip to enclose the lock of hair between the curling clamp and the curling iron.
- 6) Turn the curling iron to wind the lock of hair around the thongs all the way down to the hair roots. Leave a sufficient distance between the scalp and the curling iron to prevent major contact - danger of burns!
- 7) Hold the curling iron in this position for about 15-20 seconds.
- 8) Now carefully unwind the lock of hair to about half its length, open the curling clamp and release the lock of hair from the curling iron.
- 9) Continue in the same way also with other locks of hair, which you wish to curl.

To turn off the curling iron switch the main switch to the 0 position and allow the curling iron to cool down.

If you need to put down the curling iron while curling, you can use the folding support. You can also use it after finishing work with the curling iron for safe cooling.



### Tip:

To achieve the best results wash your hair with shampoo before using the dryer, then dry your hair using a towel to reduce excessive moisture and then comb your hair. We recommend the use of a conditioner or hair lotion, which simplifies the combing and then drying your hair.

## MAINTENANCE AND CLEANING

- Before cleaning disconnect this product from the power source.
- To clean the outer parts of the product, use a soft cloth dipped in lukewarm water. Do not use aggressive cleaning products and solvents as this could damage the surface of the product.

## TECHNICAL SPECIFICATIONS

Nominal voltage.....	220 - 240 V AC (alternate current)
Nominal frequency.....	50 Hz
Diameter of the curling thongs .....	19 mm
Input power .....	13 W
Safety class (with regard to electric shock protection).....	II

## SUPPLIED CONTENTS

- 1) Curling iron
- 2) User's manual
- 3) Warranty card

Amendments to text and technical parameters are reserved.

**DISPOSAL OF USED ELECTRICAL & ELECTRONIC EQUIPMENT**

The meaning of the symbol on the product, its accessory or packaging indicates that this product shall not be treated as household waste. Please, dispose of this equipment at your applicable collection point for the recycling of electrical & electronic equipments waste. In the European Union and Other European countries which there are separate collection systems for used electrical and electronic product. By ensuring the correct disposal of this product, you will help prevent potentially hazardous to the environment and to human health, which could otherwise be caused by unsuitable waste handling of this product. The recycling of materials will help conserve natural resources. Please do not therefore dispose of your old electrical and electronic equipment with your household waste. For more detailed information about recycling of this product, please contact your local city office, your household waste disposal service or the shop where you purchased the product.

**INSTRUCTIONS AND INFORMATION REGARDING THE DISPOSAL OF USED PACKAGING MATERIALS**

Dispose of used packaging material in a location determined by the municipality for the disposal of wastes.



This product is in compliance with the requirements of the regulations of EU on electromagnetic compatibility and electrical safety.