

Curling Iron

User's manual

EN



SENCOR®

SHS 7619WH

Prior to using this product, please read the user's manual thoroughly, even in cases, when one has already familiarised themselves with previous use of similar types of products. Only use the product in the manner described in this user's manual. Keep the user's manual in a safe place where it can be easily retrieved for future use.

We recommend saving the original shipping cardboard box, packaging material, receipt and warranty card for the duration of warranty. In the case of transportation, pack the product using the original packaging materials only.

CONTENTS

IMPORTANT SAFETY INSTRUCTIONS.....	3
DESCRIPTION OF THE CURLING IRON	5
INSTRUCTIONS FOR USE.....	6
MAINTENANCE AND CLEANING	6
TECHNICAL SPECIFICATIONS	7
INSTRUCTIONS AND INFORMATION REGARDING THE DISPOSAL OF USED PACKAGING MATERIALS ..	7
DISPOSAL OF USED ELECTRICAL AND ELECTRONIC APPLIANCES	7

IMPORTANT SAFETY INSTRUCTIONS

This appliance may be used by children 8 years of age and older and by persons with physical or mental impairments or by inexperienced persons if they are properly supervised or have been informed about how to use of the product in a safe manner and understand the potential dangers. Children must not play with the appliance. Cleaning and maintenance performed by the user must not be performed by unsupervised children.

IMPORTANT SAFETY INSTRUCTIONS

- Carefully unpack the product and take care not to throw away any part of the packaging before you find all the parts of the product.
- Use extra care if the product is used near children. Always keep the product out of the reach of children.
- Before connecting this product to the socket outlet, make sure the voltage stated on the label of the product corresponds to the voltage in your wall socket.
- Never use accessories, which have not been supplied with this product or which are not designed for this product.
- Make sure that the electric cable and plug cannot get in contact with water or dampness.
- Do not spray the product with water or any other liquid. Do not submerge this product and any of its components in water, or any liquids.
- This product is designed for household use. Do not use it in industrial environment, or outdoors!
- Do not use sprays in the vicinity of the product.
- If you will not be using the product, disconnect it from the electrical grid. Before cleaning or moving proceed in the same manner.
- Do not place the product on or near an electrical or gas stove. Do not place the product near heat producing products such as fireplaces etc.
- Do not use the product if it has a damaged electric cable/electric cable plug.
- In no case should you attempt to repair the product yourself, do not make any amendments to it – danger of electric shock! Entrust all repairs and adjustments of this product to a specialised company/service. Failure to do so will expose you to a danger of voiding the warranty policy.
- In case the electric cord is damaged, have it replaced by an expert service. Do not use the product if it has a damaged power cord/plug.
- Do not place the electric cord of the product near hot surfaces, or over sharp objects.
- Do not place heavy objects on the power cord, position the cord so that it is not stepped on, or tripped over. Make sure the power cable does not hang over the edge of a table, or that it does not touch a hot surface.
- Do not disconnect the product from the power point by pulling the electric cord – it may damage the electric cord / power point. Disconnect the cable from the power point by gently pulling the plug of the electric cable.
- Do not use the product for any other purposes than those intended.
- When using the appliance in the bathroom, disconnect it from the power source by pulling out the plug, because the vicinity of water presents a hazard even when the appliance is turned off.
- To insure additional safety, it is recommended to install an Residual Current Device (RCD) into the electric circuit to the bathroom with a maximum current rating of 30 mA. Ask a electrician for advice.
- The manufacturer takes no responsibility for damages caused by the incorrect use of this product and its accessories (injuries, burns, scalding, fire, food spoilage, etc.).



Do not use this appliance near baths, showers, washbasins or other containers containing water.

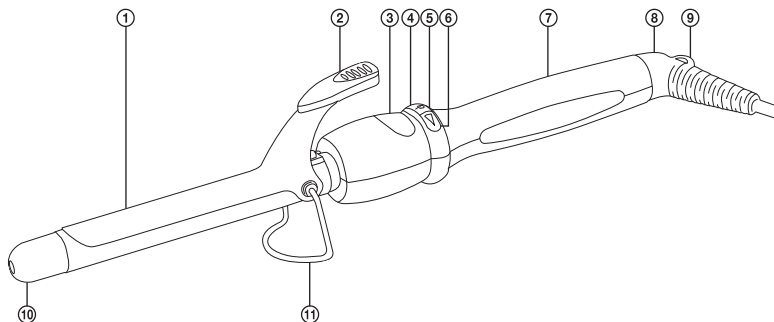
Curling Iron

SHS 7619WH

EN

DESCRIPTION OF THE CURLING IRON

A



- ① Curling tongs with ceramic finish
- ② Clip for opening up the curling tongs
- ③ Digital temperature display
- ④ Button to increase the set temperature
- ⑤ On/Off Button
- ⑥ Button to decrease the set temperature
- ⑦ Anti-slip handle

- ⑧ 360° swivel power cord
- ⑨ Hanging loop
- ⑩ Thermally insulated end for safe handling and curling of hair strands
- ⑪ Fold-out stand

INSTRUCTIONS FOR USE

- 1) Connect the power cord plug to an el. power socket.
- 2) To turn on the curling iron press and hold the On/Off button A⑤ for a short time. The display will show the value 180 (° C). This is the default temperature set by the manufacturer.
- 3) Use buttons A④ or A⑥ to set the desired temperature in the range between 120 and 200 °C. Each time button A④ or A⑥ is pressed, the set temperature will increase or decrease by 20 °C.
- 4) Wait until the curling tongs A① heat up to the temperature you set. When heating up, the display will show the current temperature of the curling tongs.

**Warning:**

Do not touch the hot tongs. Use the handle A⑦ to hold the curling iron.

**Note:**

If while using the curling iron you lower the set temperature, the display will show the gradual temperature decline of the curling tongs. After reaching the set temperature the display will show a constant value.

The tongs cool down slower than they heat up.

- 5) Separate a thin lock of hair.
- 6) To open the curling tongs A① press the clip A②. Place the end of the lock of hair between the curling tongs A① and release the clip A② so that the lock of hair is clamped in.
- 7) Turn the curling iron so that the lock of hair winds up around the curling tongs A① all the way to the hair root. Leave sufficient space between the scalp and the curling tongs A① so that they do not come into contact. Otherwise the scalp may suffer burns.
- 8) Hold the curling iron in this position for approx. 15 to 20 seconds. Then unwind the lock of hair to about half its length and press the clip A② to release the end of the lock of hair from the curling tongs A①.
- 9) Proceed in the same way with the remaining locks of hair which you wish to curl.

**Note:**

For a longer-lasting effect set the hairstyle in place using a hair spray.

- 10) After using the curling iron, turn it off and disconnect it from the power socket. To turn it off press and hold the On/Off button A⑤ for a short time, until the display A③ turns off.
- 11) Allow the curling iron to cool down. Before putting down the hot curling iron, fold out the stand A⑩ and only then place the curling iron on an even, dry surface.

**Note:**

You may put down the curling iron in the same way also while using it.

MAINTENANCE AND CLEANING

- Before cleaning, check that the curling iron is disconnected from the el. power socket and that it has cooled down after use.
- To clean the surface of the curling iron use a soft cloth slightly dipped in lukewarm water. Do not use abrasive cleaning agents, solvents or thinners.

TECHNICAL SPECIFICATIONS

Nominal voltage range	100–240 V
Nominal frequency	50/60 Hz
Input power	50 W
Safety class (with regard to electric shock protection)	II
Automatic shut-off	after it is idle for 70 minutes
Diameter of the tongs	19 mm

Amendments to text and technical parameters are reserved.

INSTRUCTIONS AND INFORMATION REGARDING THE DISPOSAL OF USED PACKAGING MATERIALS

Dispose of packaging material at a public waste disposal site.

DISPOSAL OF USED ELECTRICAL AND ELECTRONIC APPLIANCES



The meaning of the symbol on the product, its accessory or packaging indicates that this product shall not be treated as household waste. Please, dispose of this product at your applicable collection point for the recycling of electrical & electronic equipment waste. Alternatively in some states of the European Union or other European states you may return your products to your local retailer when buying an equivalent new product. The correct disposal of this product will help save valuable natural resources and help in preventing the potential negative impact on the environment and human health, which could be caused as a result of improper liquidation of waste. Please ask your local authorities or the nearest waste collection centre for further details. The improper disposal of this type of waste may fall subject to national regulations for fines.

For business entities in the European Union

If you wish to dispose of an electrical or electronic device, request the necessary information from your seller or supplier.

Disposal in other countries outside the European Union

If you wish to dispose of this product, request the necessary information about the correct disposal method from local government departments or from your seller.



This product meets all the basic EU regulation requirements that relate to it.

Curling Iron

SHS 7619WH